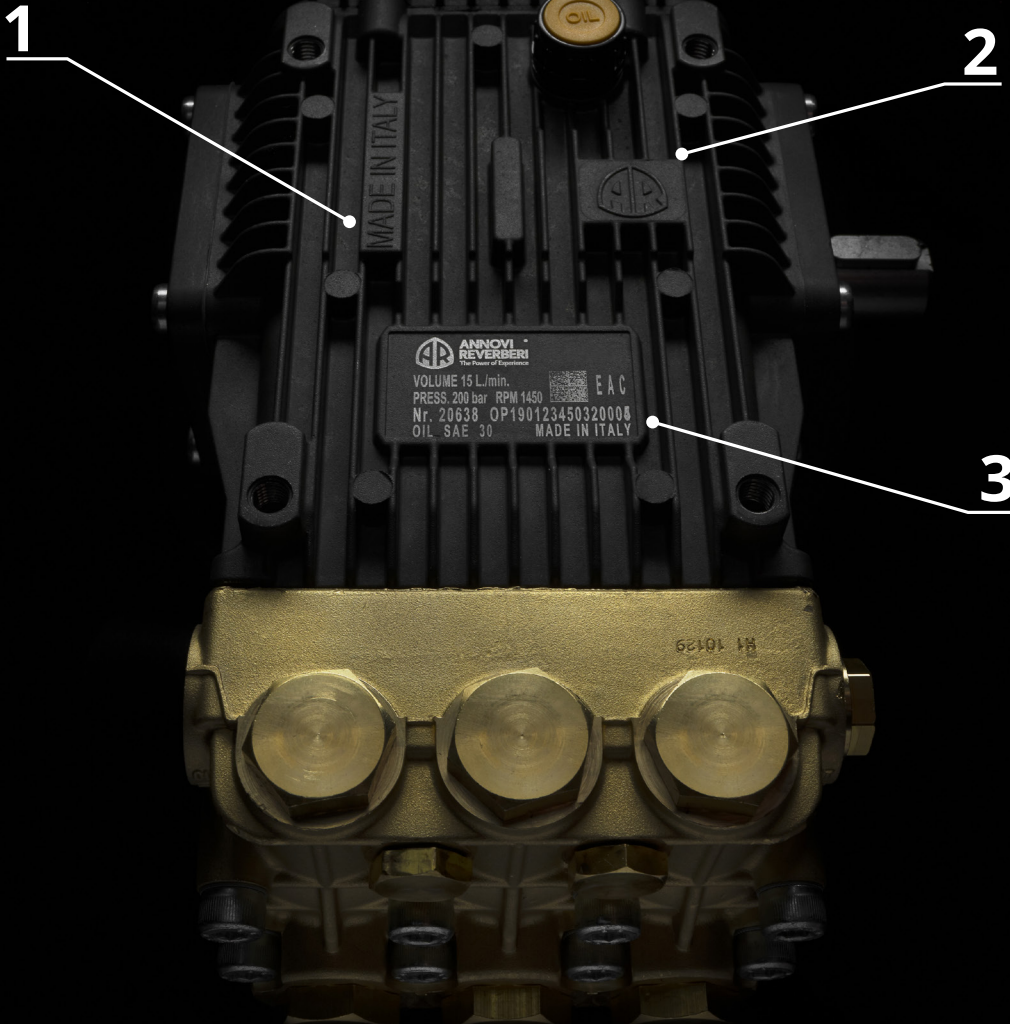


NUOVA RK
NEW RK

228 SERIES



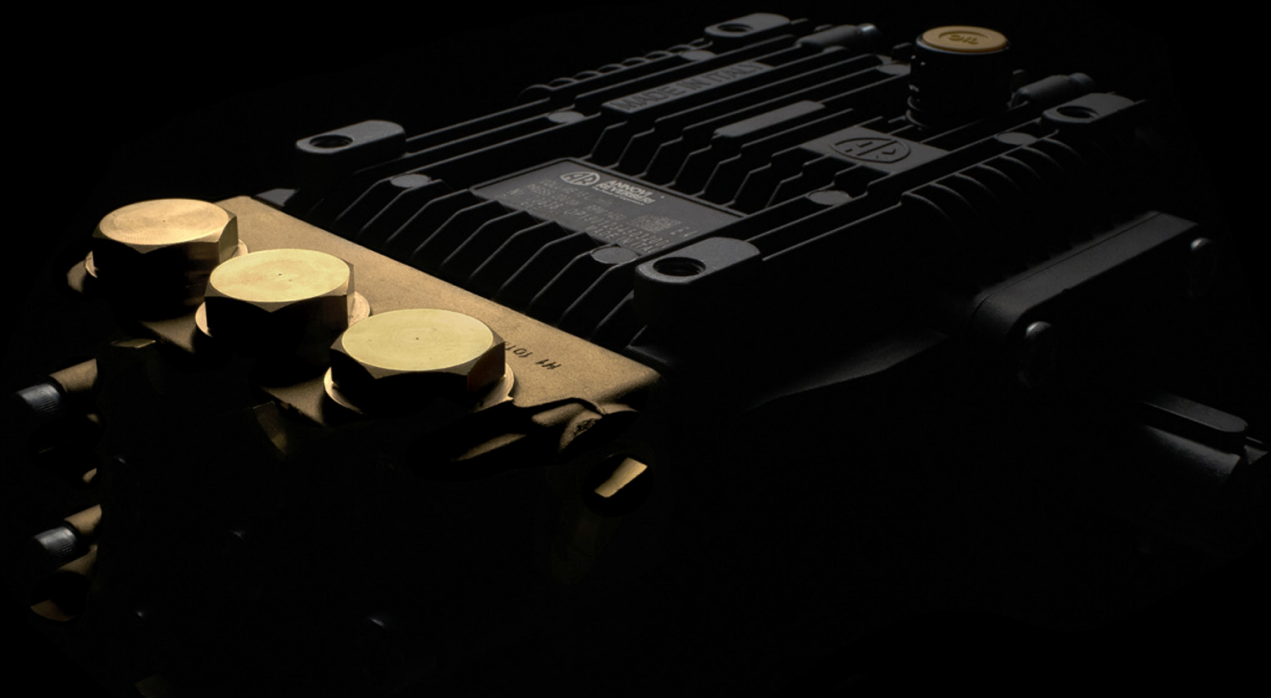
- 1
- 2
- 3

1 Scritta "Made in Italy" per sottolineare la qualità italiana di sempre "Made in Italy" to emphasize the italian quality as always

2 Logo AR in rilievo Embossed trademark

3 Targhe dati Stampa laser Data plates laser printed

NEW

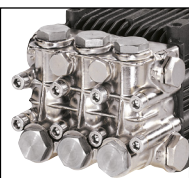




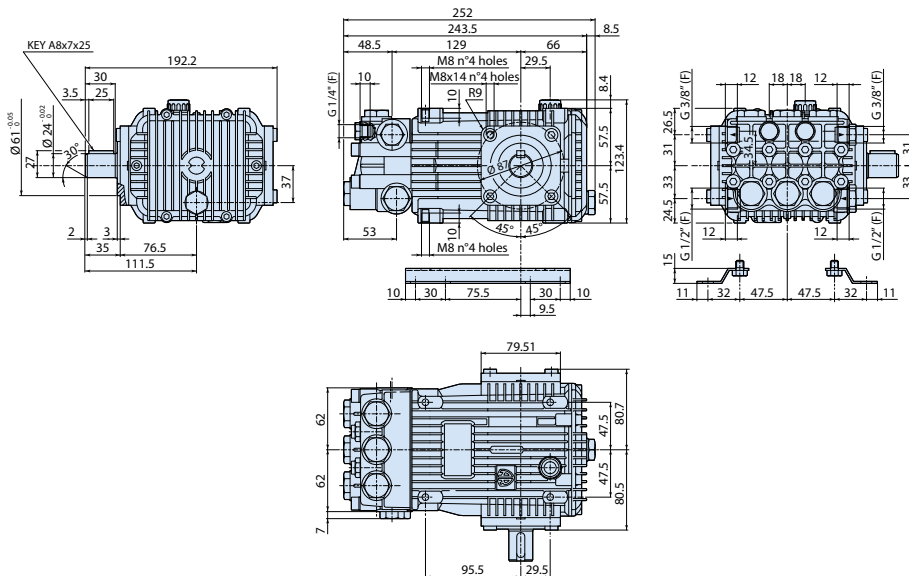
228 Series

POMPA ALBERO MASCHIO

Solid shaft pump



Model H



2288568

N version

MOD	COD	MAX	MAX	MAX	MAX	MAX	MAX	MAX	NET
		l/min	gpm	bar	psi	hp	kW	N° giri/1'	kg
RK 1450rpm Nversion Ø24mm									
RK 11.14 N	20630	11	2,90	140	2000	4	3	1450	9
● RK 11.20 H N	20631	11	2,90	200	2900	5,5	4	1450	9
● RK 11.25 H N	● 20632	11	2,90	250	3600	7,5	5,5	1450	9,5
RK 13.17 N	20634	13	3,43	170	2500	5,5	4	1450	9
● RK 13.20 H N	20635	13	3,43	200	2900	7,5	5,5	1450	9
RK 14.16 N	20636	14	3,70	160	2300	5,5	4	1450	9
RK 15.15 N	20637	15	3,96	150	2200	5,5	4	1450	9
● RK 15.20 H N	20638	15	3,96	200	2900	7,5	5,5	1450	9
● RK 15.25 H N	● 20639	15	3,96	250	3600	10	7,5	1450	9,5
● RK 15.28 H N	● 20640	15	3,96	275	4000	11	8,2	1450	9,5
RK 18.12 N	20641	18	4,75	120	1740	5,5	4	1450	9
● RK 18.20 H N	● 20643	18	4,75	200	2900	10	7,5	1450	9,5
● RK 18.28 H N	● 21467	18	4,75	275	4000	15	11	1450	9,5
RK 21.10 N	20644	21	5,55	100	1450	5,5	4	1450	9
● RK 21.15 H N	20645	21	5,55	150	2200	7,5	5,5	1450	9
● RK 21.20 H N	● 21129	21	5,55	200	2900	10	7,5	1450	9,5
RK 24.10 N	23818	24	6,34	100	1450	6,3	4,7	1450	9
● RK 24.15 H N	● 23819	24	6,34	150	2200	9,4	7,2	1450	9,5



idropultrici
pressure
washers



processi
industriali
industrial
processes



autolavaggio
car wash



agricoltura
agriculture



municipality



cantieri ed
edilizia
construction
industry



● testa
nichelata
nickel plated
brass head



● bielle in
bronzo
connecting-rods
in bronze



● testa in
ottone
brass
head



● bielle in
alluminio
connecting-rods
in aluminium

228 Series



POMPA ALBERO MASCHIO

Solid shaft pump



idropultrici
pressure
washers



processi industriali
industrial
processes



autolavaggio
car wash



agricoltura
agriculture



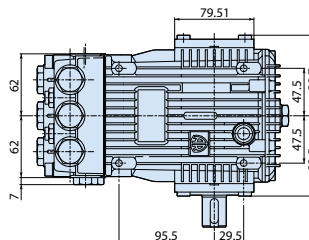
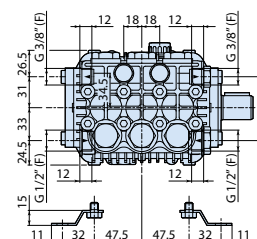
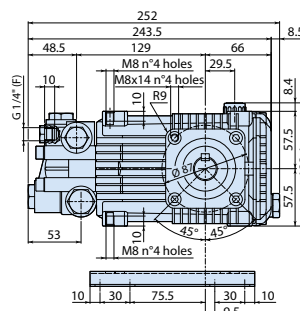
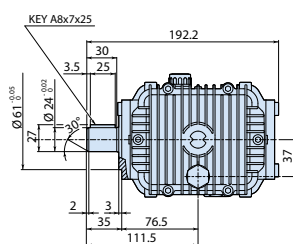
municipality



cantieri ed edilizia
construction
industry



● Model H



Piedi a richiesta.
Base on request.

2288568

1388523

N version

MOD	COD	MAX	MAX	MAX	MAX	MAX	MAX	MAX	NET
		l/min	gpm	bar	psi	hp	kW	N° giri/1'	kg
RKA 1750rpm Nversion Ø24mm									
RKA 3.5 G25 N	20659	13,2	3,5	170	2500	5	3,6	1750	9
● RKA 3.5 G40 H N	● 20661	13,2	3,5	275	4000	10	7,5	1750	9,5
● RKA 4 G30 H N	● 20665	15,1	4	205	3000	7,5	5,5	1750	9,5
● RKA 4 G40 H N	● 20667	15,1	4	275	4000	11	8,2	1750	9,5
RKA 4.5 G17 N	20668	17	4,5	115	1700	5	3,6	1750	9
● RKA 4.5 G30 H N	● 20670	17	4,5	205	3000	10	7,5	1750	9,5
● RKA 4.5 G40 H N	● 21130	17	4,5	275	4000	12,5	9,2	1750	9,5
RKA 5.5 G13 N	20671	20,8	5,5	90	1300	5	3,6	1750	9
● RKA 5.5 G20 H N	20672	20,8	5,5	140	2000	7,5	5,5	1750	9
● RKA 5.5 G30 H N	● 21131	20,8	5,5	205	3000	11	8,2	1750	9,5
RKA 6.5 G13 N	20674	25	6,6	90	1300	6	4,4	1750	9
● RKA 6.5 G20 H N	● 20675	25	6,6	140	2000	9	6,8	1750	9,5
RKA 7 G13 N	20676	27	7,1	90	1300	6,5	4,7	1750	9
● RKA 7 G20 H N	● 20677	27	7,1	140	2000	10	7,5	1750	9,5



● **testa nichelata**
nickel plated
brass head



● **bielle in bronzo**
connecting-rods
in bronze



● **testa in ottone**
brass
head



● **bielle in alluminio**
connecting-rods
in aluminium



228 Series

POMPA ALBERO CAVO Hollow shaft pump



idropulitrici
pressure washers



processi industriali
industrial processes



autolavaggio
car wash



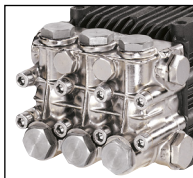
agricoltura
agriculture



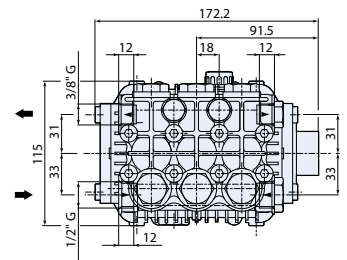
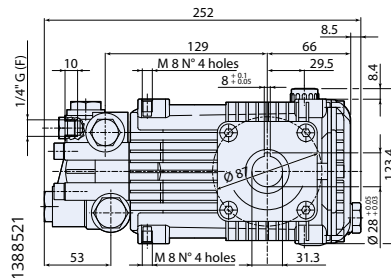
municipality



cantieri ed edilizia
construction industry



● Model H



C version

MOD	COD	MAX		MAX				KG NET	
		l/min	gpm	bar	psi	hp	kW	N° giri/1'	
RK 1450rpm Cversion Ø28mm									
● RK 11.20 H C	20647	11	2,90	200	2900	5,5	4	1450	9
RK 13.12 C	20648	13	3,43	120	1740	4	3	1450	9
RK 13.17 C	20649	13	3,43	170	2500	5,5	4	1450	9
● RK 13.20 H C	20650	13	3,43	200	2900	7,5	5,5	1450	9
RK 14.16 C	20651	14	3,70	160	2300	5,5	4	1450	9
RK 15.15 C	20652	15	3,96	150	2200	5,5	4	1450	9
● RK 15.20 H C	20653	15	3,96	200	2900	7,5	5,5	1450	9
RK 18.12 C	20654	18	4,75	120	1740	5,5	4	1450	9
● RK 18.16 H C	20655	18	4,75	160	2300	7,5	5,5	1450	9
RK 21.10 C	20656	21	5,55	100	1450	5,5	4	1450	9
● RK 21.15 H C	20657	21	5,55	150	2200	7,5	5,5	1450	9



○ **testa nichelata**
nickel plated brass head



● **testa in ottone**
brass head



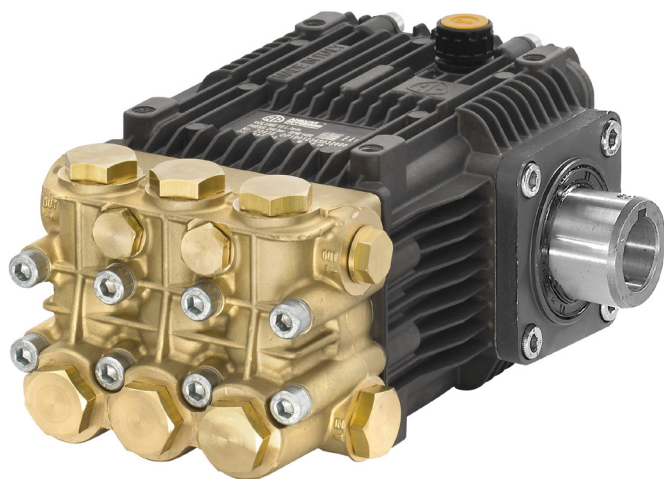
● **bielle in alluminio**
connecting-rods in aluminium

F16 flange for electric motor B14 100=112 IEC34-7, 4 poles 50Hz. Flange not included.
Flangia F16 per motori elettrici B14 Gr.100=112 IEC34-7, 4 poli 50Hz. Flangia non inclusa.

228 Series



POMPA ALBERO CAVO Hollow shaft pump



idropultrici
pressure washers



processi industriali
industrial processes



autolavaggio
car wash



agricoltura
agriculture



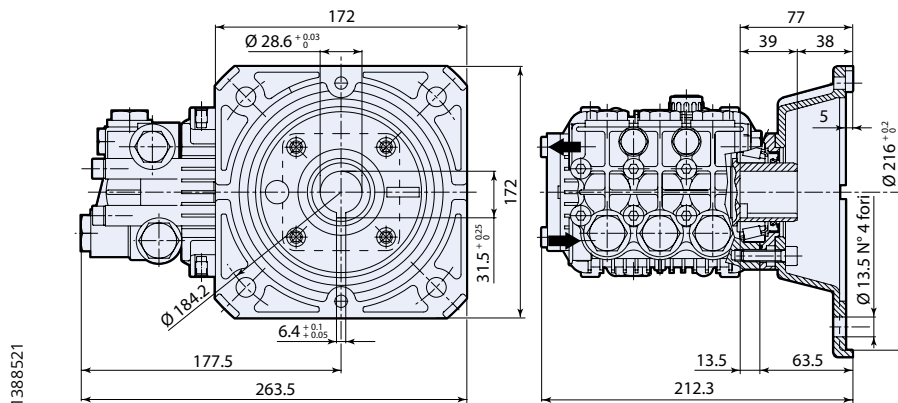
municipality



cantieri ed edilizia
construction industry



Model H



Flangia F17 fornita a richiesta.
F17 flange on request.

E version

MOD	COD	MAX		MAX		N°		KG	
		l/min	gpm	bar	psi	hp	kW	NET	
RKA 1750rpm Eversion Ø1" 1/8		giri/1'							kg
RKA 3.5 G25 E	20678	13,2	3,5	170	2500	5	3,6	1750	9
● RKA 3.5 G30 H E	● 20679	13,2	3,5	205	3000	7,5	5,5	1750	9,5
RKA 4 G20 E	20680	15,1	4	140	2000	5	3,6	1750	9
● RKA 4 G30 H E	● 20681	15,1	4	205	3000	7,5	5,5	1750	9,5
RKA 5.5 G13 E	20682	20,8	5,5	90	1300	5	3,6	1750	9
RKA 6.5 G13 E	● 20683	25	6,6	90	1300	6	4,4	1750	9
● RKA 6.5 G20 H E	● 20684	25	6,6	140	2000	9	6,8	1750	9,5
RKA 7 G13 E	20685	27	7,1	90	1300	6,5	4,7	1750	9
● RKA 7 G20 H E	● 20686	27	7,1	140	2000	10	7,5	1750	9,5



● **testa nichelata**
nickel plated brass head



● **bielle in bronzo**
connecting-rods in bronze



● **testa in ottone**
brass head



● **bielle in alluminio**
connecting-rods in aluminium

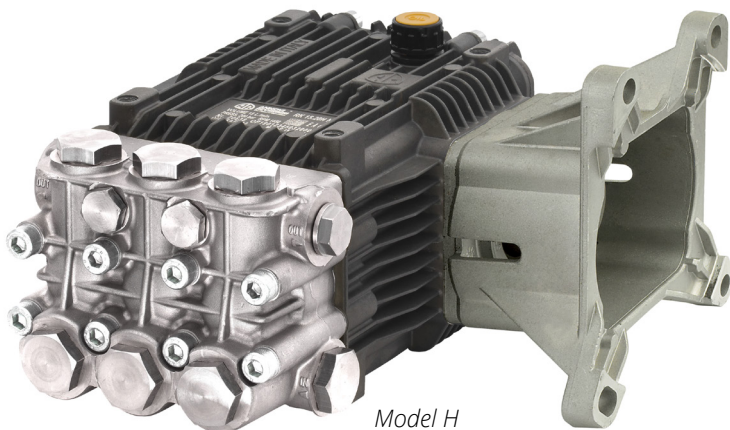
Flangia F17 per motori elettrici NEMA 182-184, 4 poli 60Hz. Flangia non inclusa.
F17 flange for electric motor NEMA 182-184, 4 poles 60Hz. Flange not included.



228 Series

POMPA ALBERO CAVO

Hollow shaft pump



Model H



idropultrici
pressure washers



processi industriali
industrial processes



autolavaggio
car wash



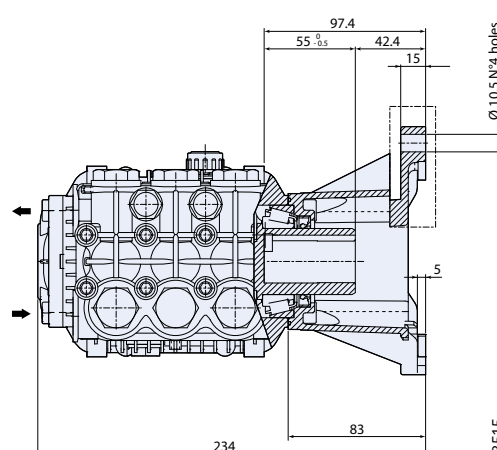
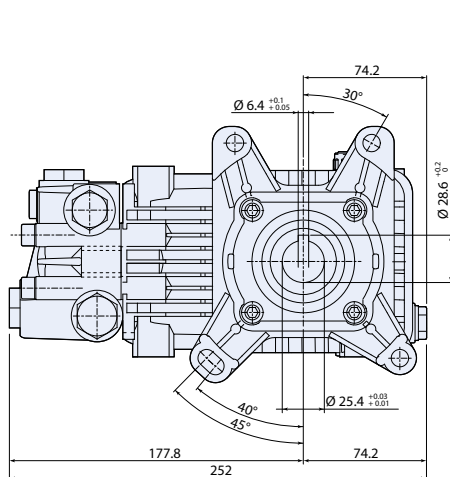
agricoltura
agriculture



municipality



cantieri ed edilizia
construction industry



2288515

D version + F41

MOD	COD	MAX	MAX							
		l/min	gpm	bar	psi	hp	kW	N° giri/1'	kg	
RKV 3400rpm Dversion + F41 Ø1"										
RKV 3.5 G25 D + F41	20693	13,2	3,5	170	2500	5	3,6	3400	10	
● RKV 3.5 G30 H D + F41	● 20694	13,2	3,5	205	3000	5	3,6	3400	10,5	
● RKV 3.5 G40 H D + F41	21132	13,2	3,5	275	4000	10	7,5	3400	10	
RKV 4 G30 D + F41	● 20697	15,1	4	205	3000	7,5	5,5	3400	10,5	
● RKV 4 G35 H D + F41	● 20699	15,1	4	240	3500	7,5	5,5	3400	10,5	
● RKV 4 G40 H D + F41	● 21133	15,1	4	275	4000	11	8,2	3400	10,5	
● RKV 4.5 G40 H D + F41	● 21134	17	4,5	275	4000	12	8,7	3400	10,5	
● RKV 5.5 G40 H D + F41	● 21135	20,8	5,5	275	4000	15	11	3400	10,5	



● **testa nichelata**
nickel plated brass head



● **bielle in bronzo**
connecting-rods in bronze



● **testa in ottone**
brass head



● **bielle in alluminio**
connecting-rods in aluminium

Flangia F41 per motori scoppio Ø 1" SAE J609a.
Flangia inclusa.
Flange F41 for gasoline engine Ø 1" SAE J609a.
Flange included.