

2018



**ANNOVI[®]
REVERBERI**
The Power of Experience



CATALOGO
**HIGH
PERFORMANCE
PUMPS**
CATALOGUE





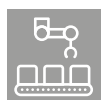
Applicazioni Applications



lavaggio industriale
industrial cleaning



idropultrici
pressure washers



processi industriali
industrial processes



autolavaggio
car wash



produzione
manufacturing



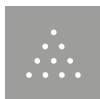
agricoltura
agriculture



industria alimentare
food industry



municipality



misting



pulizia tubazioni
sewer jetting



cantieri ed edilizia
construction industry



settore navale
marine industry



antincendio
fire fighting

Tecniche Technical



pressione massima
max pressure



flusso massimo
max flow rate



RPM



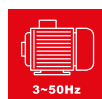
potenza assorbita
absorbed power



temperatura
temperature



peso netto
net weight



frequenza motore
motor frequency

Core



testa in ottone
brass head



testa in alluminio
aluminium head



testa nichelata
nickel plated head



testa in inox
inox head



bielle in bronzo
connecting-rods in bronze



bielle in alluminio
connecting-rods in aluminium



motore a scoppio
gasoline engine



motore elettrico
electric engine



motore idraulico
hydraulic drive



guarnizioni in PTFE
PTFE gasket sealing



PTFE



TSS®
Total Stop SYSTEM



TST®
Total Stop SYSTEM TIMED

Generiche Generic



novità
new



60 YEARS

1 9 5 8 · 2 0 1 8

INDICE INDEX

Indice / Index

20HP - 194 SERIES	P 4÷9
20HP - 402 SERIES	P 10
30÷40HP - 366 SERIES	P 11
25÷30HP - 366 SERIES	P 12
40HP - 366 SERIES	P 13, 15, 16, 17
30HP - 366 SERIES	P 14, 18
40÷50HP - 418 SERIES	P 19
40÷50HP - 282 SERIES	P 20
50HP - 282 SERIES	P 21
35HP - 282 SERIES	P 22

<u>Accessori Accessories</u>	<u>P 23</u>
------------------------------	-------------

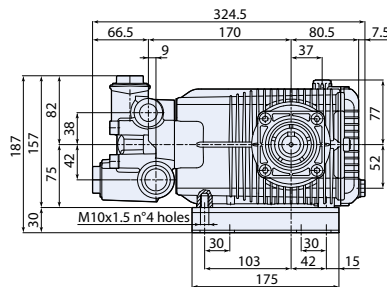


20HP - 194 Series

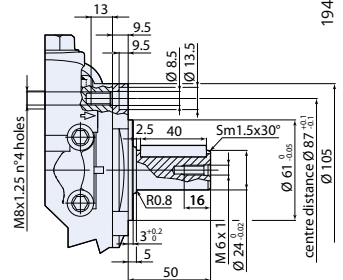
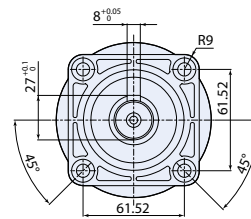
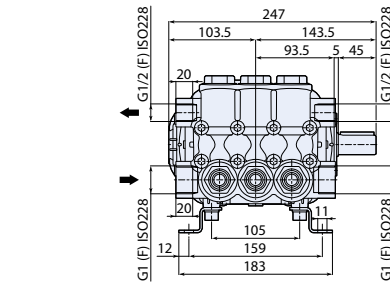
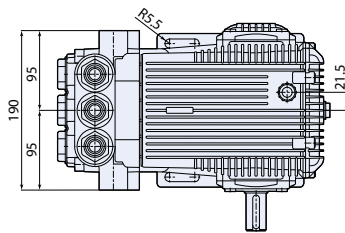
POMPA ALBERO MASCHIO Solid shaft pump



- lavaggio industriale**
industrial cleaning
- processi industriali**
industrial processes
- autolavaggio**
car wash
- produzione**
manufacturing
- agricoltura**
agriculture
- municipality**
- misting**
- pulizia tubazioni**
sewer jetting
- cantieri ed edilizia**
construction industry



Piedi a richiesta.
Base on request.



1948558

Parte meccanica della XW con pistoni maggiorati, nuovo design della testata con tenute e valvole che permettono di raggiungere portate maggiori.

Pump that maintains the drive of the XW. Larger-size pistons, new pump head design with seals and valves that enable to achieve higher flow rates (superior to 50 l/min).

N version

MOD	COD	MAX	MAX							
		l/min	gpm	bar	psi	hp	kW	N° giri/1'	kg	
XWP 1450rpm Nversion Ø24mm										
XWP 50.15 N	26283	50	13,2	150	2200	20	15	1450	17,6	
XWP 55.14 N	26284	55	14,5	140	2000	20	15	1450	17,6	
XWP 60.13 N	26285	60	15,9	130	1900	20	15	1450	17,6	
XWP 65.12 N	26286	65	17,2	120	1740	20	15	1450	17,6	
XWP 70.12 N	26287	70	18,5	120	1740	20	15	1450	17,6	
XWP 70.15 N	26919	70	18,5	150	2200	27	20	1450	17,6	

A richiesta testa nichelata · Nickel plated head available.

NEW



testa in ottone
brass head



bielle in alluminio
connecting-rods in aluminium

20HP - 194 Series

POMPA ALBERO MASCHIO Solid shaft pump



lavaggio industriale
industrial cleaning



idropulitrici
pressure washers



processi industriali
industrial processes



agricoltura
agriculture



municipality



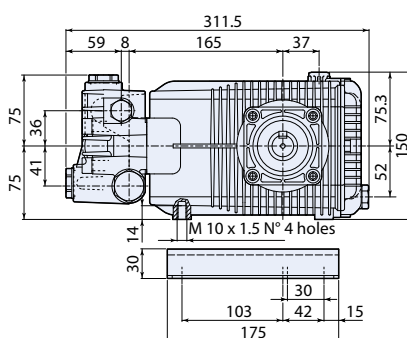
pulizia tubazioni
sewer jetting



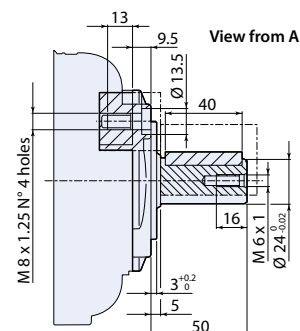
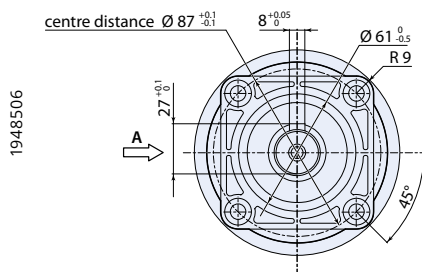
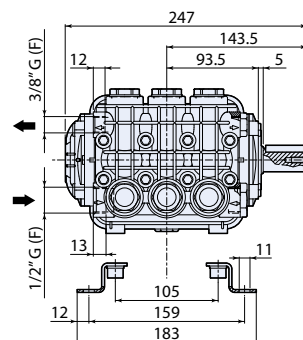
cantieri ed edilizia
construction industry







antincendio
fire fighting



Piedi a richiesta.
Base on request.



N version

MOD	COD	 MAX	 MAX						
		l/min	gpm	bar	psi	hp	kW	N° giri/1'	kg
SXW 1450rpm Nversion Ø24mm									
SXW 15.35 N	20807	15	3,96	350	5100	15	11	1450	16
SXW 17.35 N	23208	17	4,5	350	5100	17	12,7	1450	16
SXW 19.30 N	22899	19	5	300	4350	19	14,1	1450	16
SXW 21.28 N	20930	21	5,55	280	4060	20	15	1450	16
SXW 21.35 N	20808	21	5,55	350	5100	20	15	1450	16
SXWA 1750rpm Nversion Ø24mm									
SXWA 4 G 50 N	21024	15,1	4	345	5000	13	9,5	1750	16
SXWA 5.5G 50 N	21006	20,8	5,5	345	5000	18	13,4	1750	16
SXWA 7 G 50 N	21211	26,5	7	345	5000	22	16,2	1750	16



testa in ottone
brass head



bielle in alluminio
connecting-rods in aluminium

20HP - 194 Series

POMPA ALBERO MASCHIO Solid shaft pump



lavaggio industriale
industrial cleaning



idropultrici
pressure washers



processi industriali
industrial processes



agricoltura
agriculture



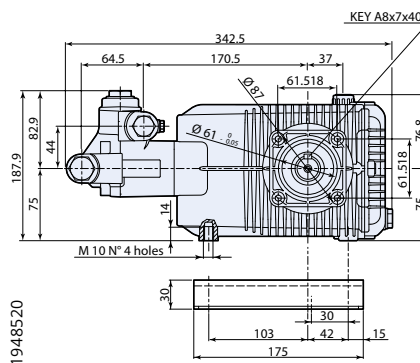
pulizia tubazioni
sewer jetting



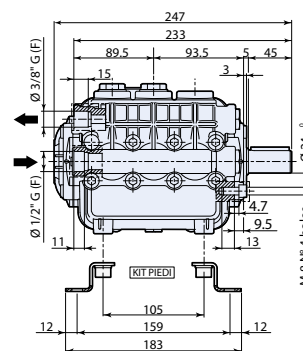
cantieri ed edilizia
construction industry







antincendio
fire fighting



Piedi a richiesta.
Base on request.



N version

MOD	COD	 MAX	 MAX						
		l/min	gpm	bar	psi	hp	kW	N° giri/1'	kg
SHP 1450rpm Nversion Ø24mm									
SHP 10.50 N	22569	10	2,64	500	7250	14	10,4	1450	16
SHP 15.50 N	21825	15	3,96	500	7250	20	15	1450	16
SHP 20.50 N	25413	20	5,30	500	7250	25	18,5	1450	16
SHP 22.50 N	21826	22	5,80	500	7250	27	20	1450	16
SHPA 1750rpm Nversion Ø24mm									
SHPA 4 G 70 N	23022	15,1	4	500	7250	20	15	1750	16

NEW



testa in ottone
brass head



bielle in alluminio
connecting-rods in aluminium



20HP - 194 Series

ELECTRIC MOTOR-PUMP UNITS



lavaggio industriale
industrial cleaning



idropultrici
pressure washers



processi industriali
industrial processes



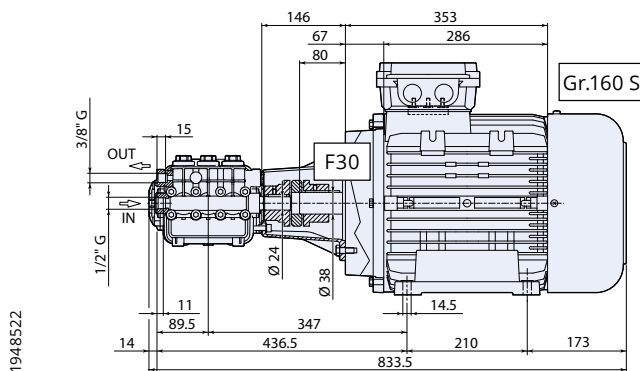
agricoltura
agriculture



pulizia tubazioni
sewer jetting

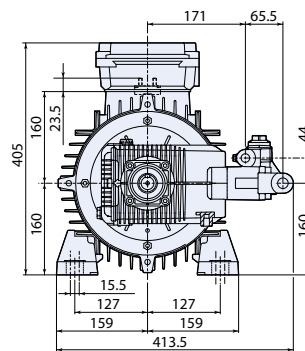


cantieri ed edilizia
construction industry



1948522

Flangiatura con giunto elastico.
Bell housing + flexible coupling.



COD	3 ~	MAX l/min	MAX gpm	MAX bar	MAX psi	hp	kW	N° giri/1'	V 3-50Hz	Gr.	NET kg
HSHP 1450rpm											
HSHP 15.50 ET	22082	15	3,96	500	7250	20	15	1450	400/690	160 S	115
HSHP 20.50 ET	25414	20	5,30	500	7250	25	18,5	1450	400/690	160 S	115



testa in ottone
brass head



bielle in alluminio
connecting-rods in aluminium



3~50Hz
frequenza motore
motor frequency



20HP - 402 Series

POMPA ALBERO MASCHIO Solid shaft pump



lavaggio industriale
industrial cleaning



idropultrici
pressure washers



processi industriali
industrial processes



agricoltura
agriculture



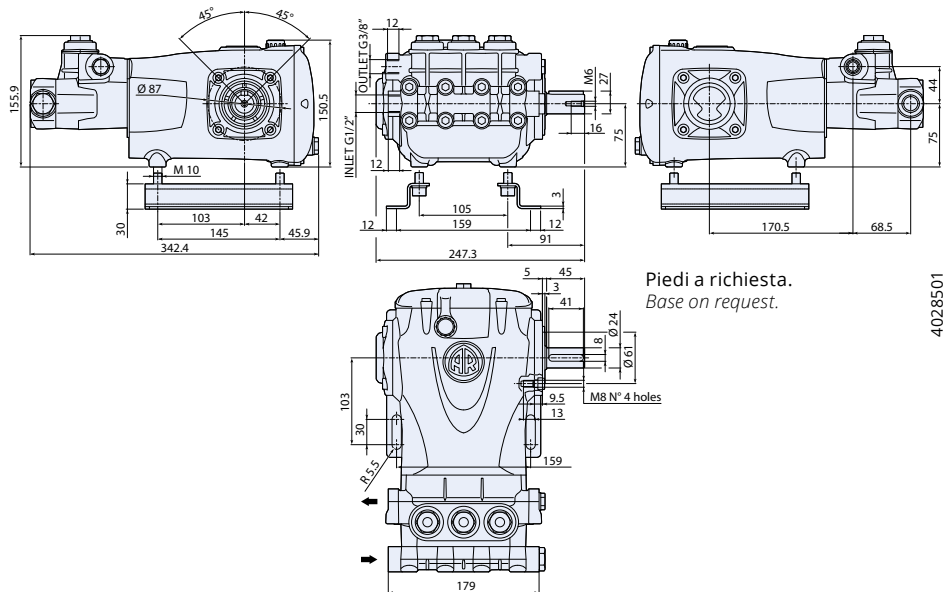
municipality







cantieri ed edilizia
construction industry



antincendio
fire fighting



N version

MOD	COD	 MAX	 MAX		
		l/min gpm	bar psi	hp kW	N° giri/1' kg
RGX 1450rpm Nversion Ø24mm					
RGX 15.50 N	25514	15 3,96	500 7250	20 15	1450 16
RGX 22.50 N	25638	22 5,8	500 7250	27 20	1450 16
RGXA 1750rpm Nversion Ø24mm					
RGXA 4G 70 N	25639	15,1 4	500 7250	20 15	1750 16

NEW



testa in ottone
brass head



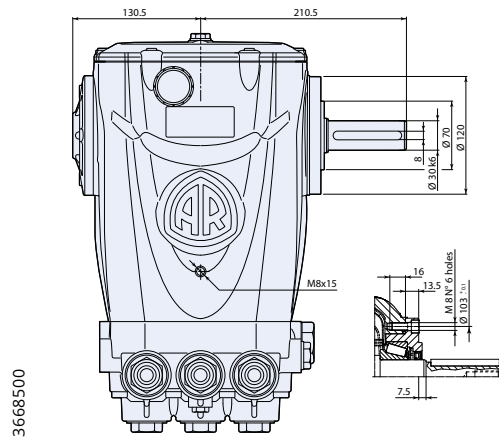
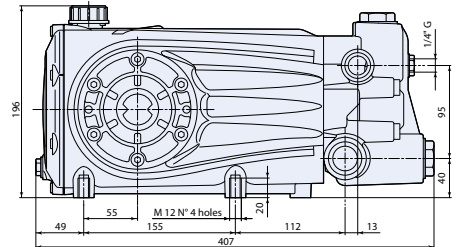
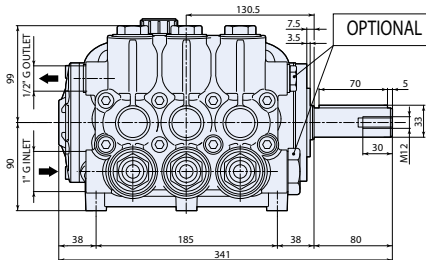
bielle in alluminio
connecting-rods in aluminium

30÷40HP - 366 Series

POMPA ALBERO MASCHIO Solid shaft pump



- 
lavaggio industriale
industrial cleaning
- 
processi industriali
industrial processes
- 
autolavaggio
car wash
- 
produzione
manufacturing
- 
agricoltura
agriculture
- 
municipality
- 
misting
- 
pulizia tubazioni
sewer jetting
- 
antincendio
fire fighting



3668500

N version

MOD	COD	MAX		MAX				KG NET
		l/min	gpm	bar	psi	hp	kW	N° giri/1'

RTX 1450rpm Nversion Ø30mm

RTX 30.300 N	24448	30	7,92	300	4350	24	18	1450	32,5
RTX 50.300 N	26226	50	13,2	300	4350	40	30	1450	32,5
RTX 60.300 N	26068	60	15,8	300	4350	47	35	1450	32,5
RTX 70.150 N	24446	70	18,5	150	2200	30	22	1450	32,5
RTX 70.200 N	26147	70	18,5	200	2900	37	28	1450	32,5
RTX 85.150 N	25116	85	22,5	150	2200	34	26	1450	32,5
RTX 100.120 N	24445	100	26,4	120	1740	30	22	1450	32,5



testa nichelata
nickel plated brass head



bielle in alluminio
connecting-rods in aluminium



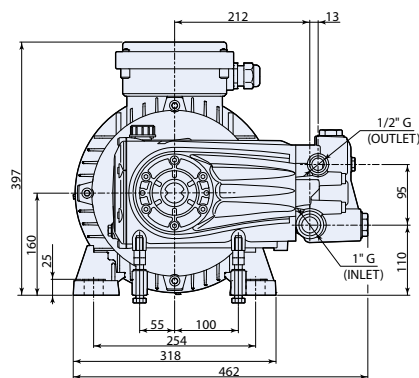
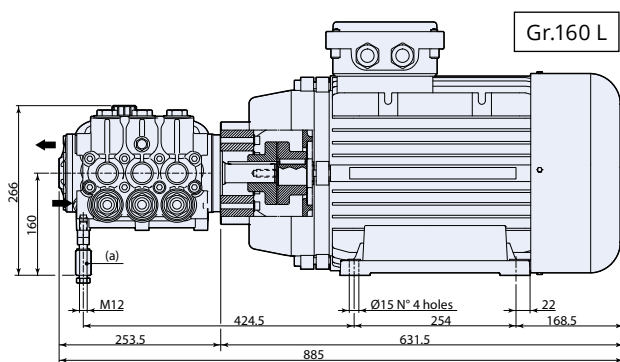
25÷30HP - 366 Series

ELECTRIC MOTOR-PUMP UNITS



 lavaggio industriale <i>industrial cleaning</i>	 processi industriali <i>industrial processes</i>	 autolavaggio <i>car wash</i>	 produzione <i>manufacturing</i>	 agricoltura <i>agriculture</i>
 municipality	 misting	 pulizia tubazioni <i>sewer jetting</i>		

Motore elettrico GR. 160L con giunto flessibile interno.
GR. 160L electric motor with internal flexible joint.



(a) Supporto pompa consigliato (M12).
Pump support recommended (M12).

3668501

MOD	COD	MAX		MAX						KG NET	
	3 ~	l/min	gpm	bar	psi	hp	kW	N° giri/1'	V 3-50Hz	Gr.	kg
HRTX 1450 rpm											
HRTX 30.300 ET	25344	30	7,92	300	4350	25	18,6	1450	400/690	160 L	135
HRTX 50.200 ET	25257	50	13,2	200	2900	25	18,6	1450	400/690	160 L	135
HRTX 70.150 ET	25664	70	18,5	150	2200	30	22	1450	400/690	160 L	135
HRTX 100.120 ET	25665	100	26,4	120	1740	30	22	1450	400/690	160 L	135



testa in nickel
nickel plated head



bielle in alluminio
Connecting rods in aluminum



3-50Hz
frequenza motore
motor frequency

40HP - 366 Series

POMPA ALBERO MASCHIO Solid shaft pump



lavaggio industriale
industrial cleaning



processi industriali
industrial processes



autolavaggio
car wash



produzione
manufacturing



agricoltura
agriculture



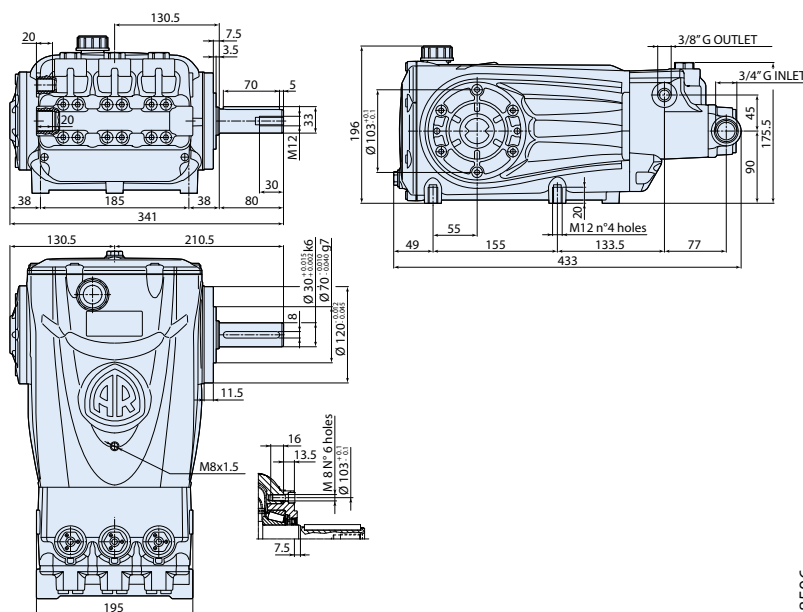
municipality



misting



pulizia tubazioni
sewer jetting



N version

MOD	COD	MAX	MAX		
		l/min gpm	bar psi	hp kW	N° giri/1' kg

RTX 1450rpm Nversion Ø30mm					
RTX 30.500 N	26116	30 7,92	500 7250	40 30	1450 34



testa nichelata
nickel plated brass head



bielle in bronzo
connecting rods in bronze

3668506

40HP - 366 Series

ELECTRIC MOTOR-PUMP UNITS



lavaggio industriale
industrial cleaning



processi industriali
industrial processes



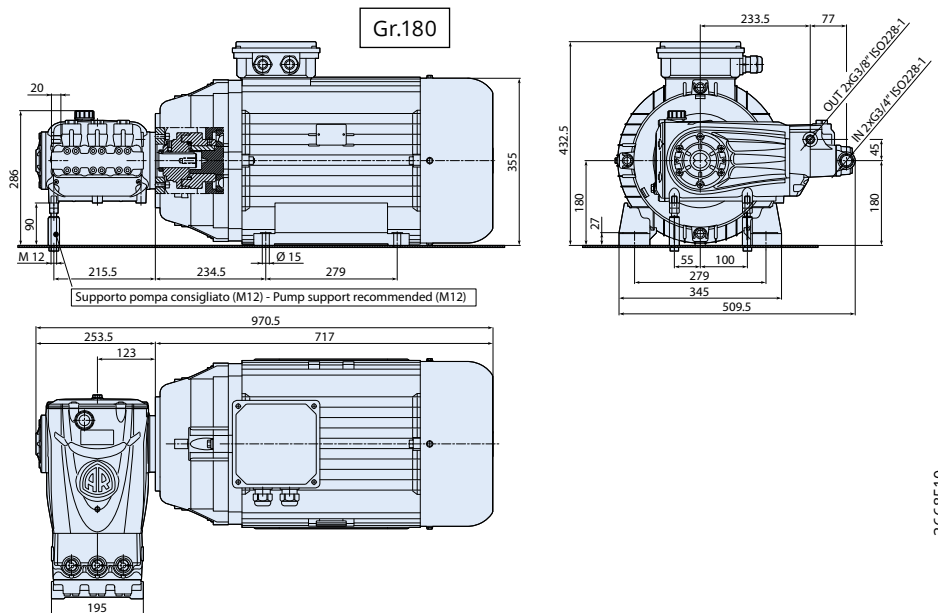
produzione
manufacturing



municipality



Motore elettrico GR. 180 con giunto flessibile interno.
GR. 180 electric motor with internal flexible joint.



3668510

NEW

MOD	COD	MAX	MAX		NET						
	3 ~	l/min	gpm	bar	psi	hp	kW	N° giri/1'	V 3-50Hz	Gr.	kg

HRTX 1450rpm

HRTX 30.500 ET	26922	30	7,92	500	7250	40	30	1450	400/690	180	221
----------------	--------------	----	------	-----	------	----	----	------	---------	-----	-----



testa nichelata
nickel plated brass head



bielle in bronzo
connecting-rods in bronze



frequenza motore
motor frequency



30HP - 366 Series

HYDRAULIC DRIVE



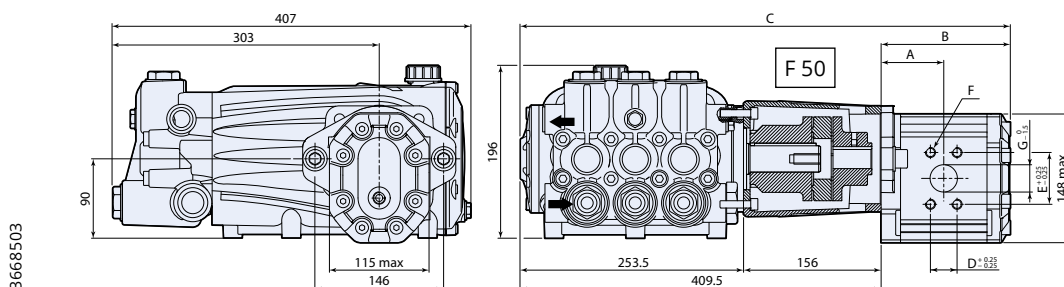
municipality



antincendio
fire fighting



Motor Type	A	B	C	D	E	F	G
	mm						Ø mm
SNM3NN/044 BN07GAM1A4A4 NNNN/NNNNN	71	148,5	558	30,18	58,72	7/16-14 UNC	31,8



testa
nichelata
nickel plated
brass head



bielle in
alluminio
connecting-rods
in aluminium



motore
idraulico
hydraulic
drive

HYD - RTX

MOD	COD	POMPA A PISTONI • HP PISTON PUMP						MOTORE IDRAULICO • HYDRAULIC MOTOR						
		MAX		MAX		RPM	⚡	SAUER DANFOSS			MAX	MAX	RPM	KG NET
		l/min	gpm	bar	psi	N° giri/1'	hp	Type	Cod	cm ³	bar	l/min	N° giri/1'	kg
HYD-XTX														
HYD-RTX 70.150	25549	70	18,5	150	2200	1450	30	NM3NN/044 BN07GAM1A4A4 NNNN/NNNNN	44741	44,1	180*	70*	1450	42,5
HYD-RTX 70.200	26148	70	18,5	200	2900	1450	37	SNM3NN/044 BN07GAM1A4A4 NNNN/NNNNN	44741	44,1	240*	70*	1450	42,5
HYD-RTX 100.120	25345	100	26,4	120	1740	1450	30	NM3NN/044 BN07GAM1A4A4 NNNN/NNNNN	44741	44,1	210*	70*	1450	42,5

*) Theoretical data.

40÷50HP - 418 Series

POMPA ALBERO MASCHIO Solid shaft pump



lavaggio industriale
industrial cleaning



processi industriali
industrial processes



produzione
manufacturing



agricoltura
agriculture



municipality



misting



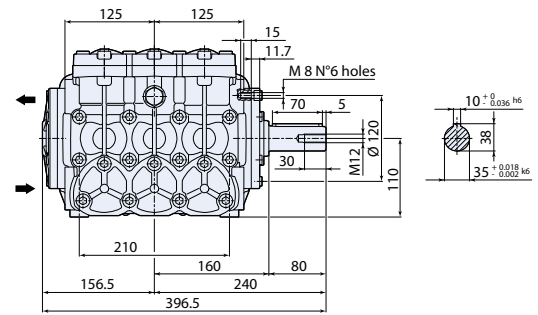
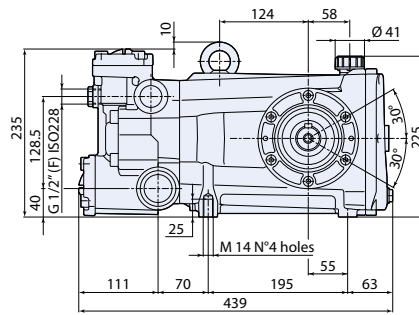
pulizia tubazioni
sewer jetting



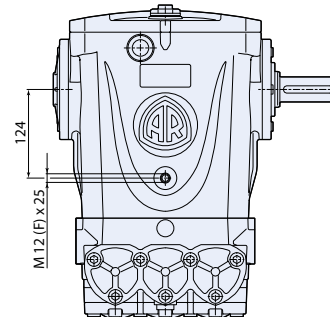
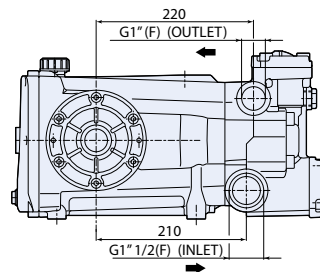
cantieri ed edilizia
construction industry



antincendio
fire fighting



4188500



N version

MOD	COD	MAX	MAX		NET				
		l/min	gpm	bar	psi	hp	kW	N° giri/1'	kg
RTD - L 800rpm Nversion Ø35mm									
RTD-L 160.100 N	25346	155	40,9	100	1450	42	32	800	58
RTD 1000rpm Nversion Ø35mm									
RTD 80.280 N	26875	80	21,1	280	4060	59	44	1000	58
RTD 100.200 N	26327	100	26,4	200	2900	54	41	1000	58
RTD 130.100 N	25348	130	34,5	100	1450	34	26	1000	58
RTD 130.160 N	26105	130	34,5	160	2300	54	41	1000	58
RTD 160.100 N	25347	160	42,3	100	1450	42	32	1000	58
RTD 160.130 N	26104	160	42,3	130	1900	54	41	1000	58



testa in ottone
brass head



bielle in bronzo
connecting-rods in bronze



bielle in alluminio
connecting-rods in aluminium

A richiesta testa nichelata. · Nickel plated head available.



40÷50HP - 282 Series

POMPA ALBERO MASCHIO Solid shaft pump



lavaggio industriale
industrial cleaning



municipality



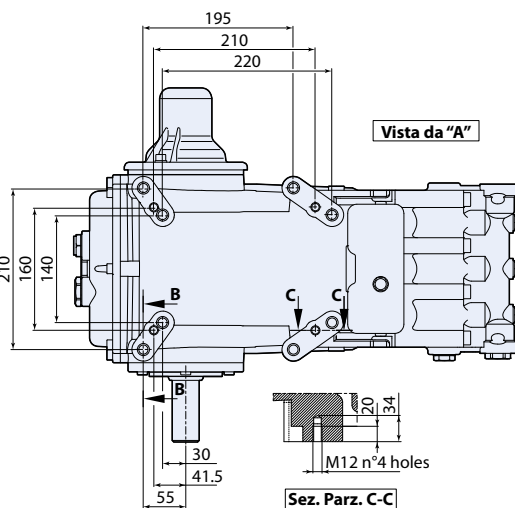
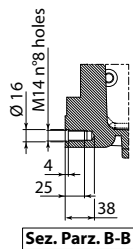
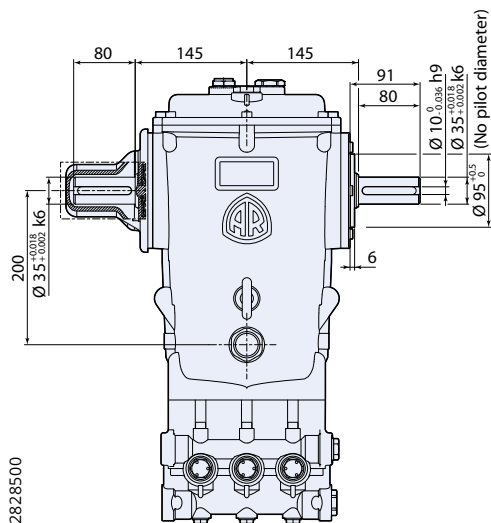
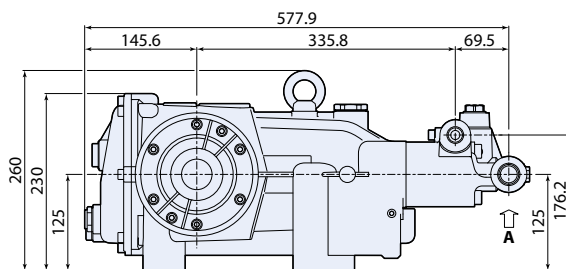
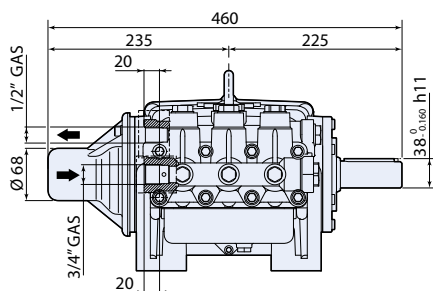
pulizia tubazioni
sewer jetting



cantieri ed edilizia
construction industry



antincendio
fire fighting



N version

MOD	COD	MAX	MAX						
		l/min	gpm	bar	psi	hp	kW	N° giri/1'	
RTP 1000rpm Nversion Ø35mm									
RTP 30.500 N AP	22215	30	7,92	500	7250	40	30	1000	78
RTP 38.500 N AP	22216	38	10	500	7250	51	38	1000	78
RTP 30.600 N AP *	22982	30	7,92	600	8702	48	36	1000	78

* A richiesta disponibile con testa in acciaio AISI 420.
On request available AISI 420 stainless steel head.



testa nichelata
nickel plated
brass head



bielle in bronzo
connecting-
rods in bronze

50HP - 282 Series

POMPA ALBERO MASCHIO Solid shaft pump



lavaggio industriale
industrial cleaning



processi industriali
industrial processes



municipality



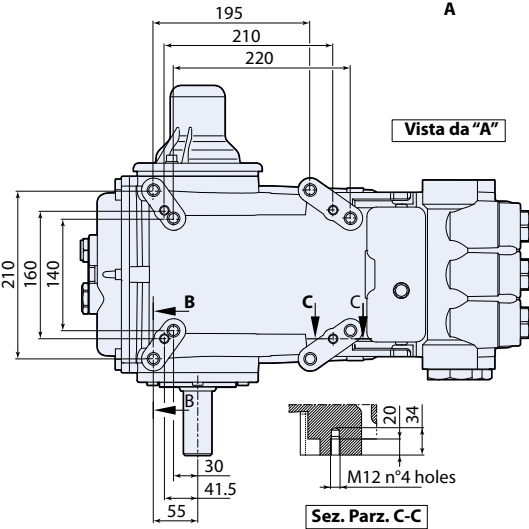
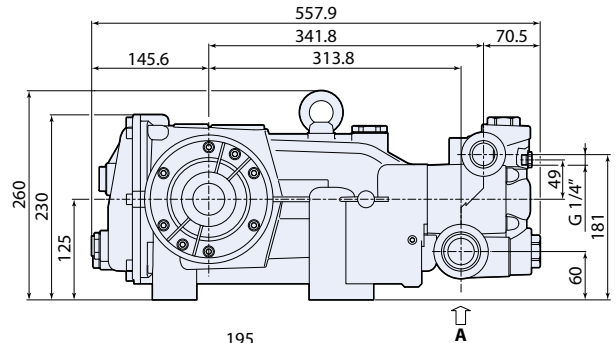
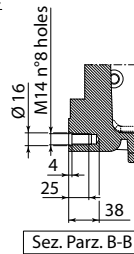
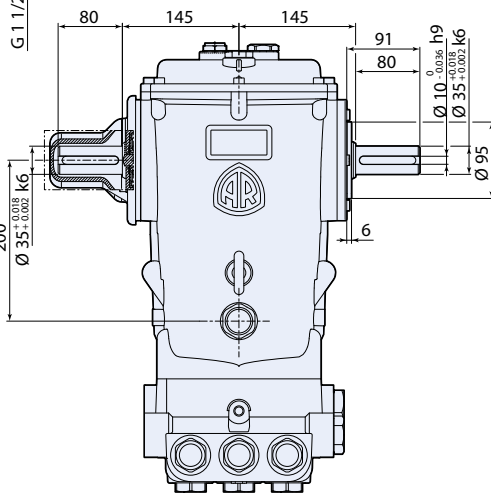
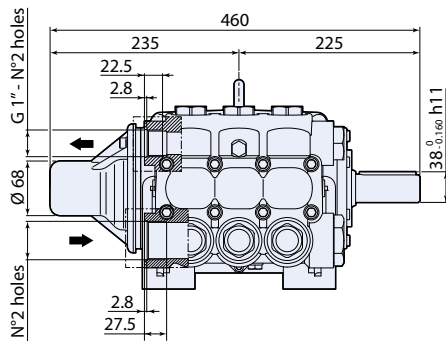
pulizia tubazioni
sewer jetting



cantieri ed edilizia
construction industry



antincendio
fire fighting



2828502

N version

MOD	COD	MAX	MAX					NET
		l/min	gpm	bar	psi	hp	kW	kg
RTJ 1000rpm Nversion Ø35mm								
RTJ 70.275 N AP	22817	70	18,5	275	4000	51	38	90



testa nichelata
nickel plated brass head



bielle in bronzo
connecting rods in bronze



35HP - 282 Series

POMPA ALBERO MASCHIO Solid shaft pump



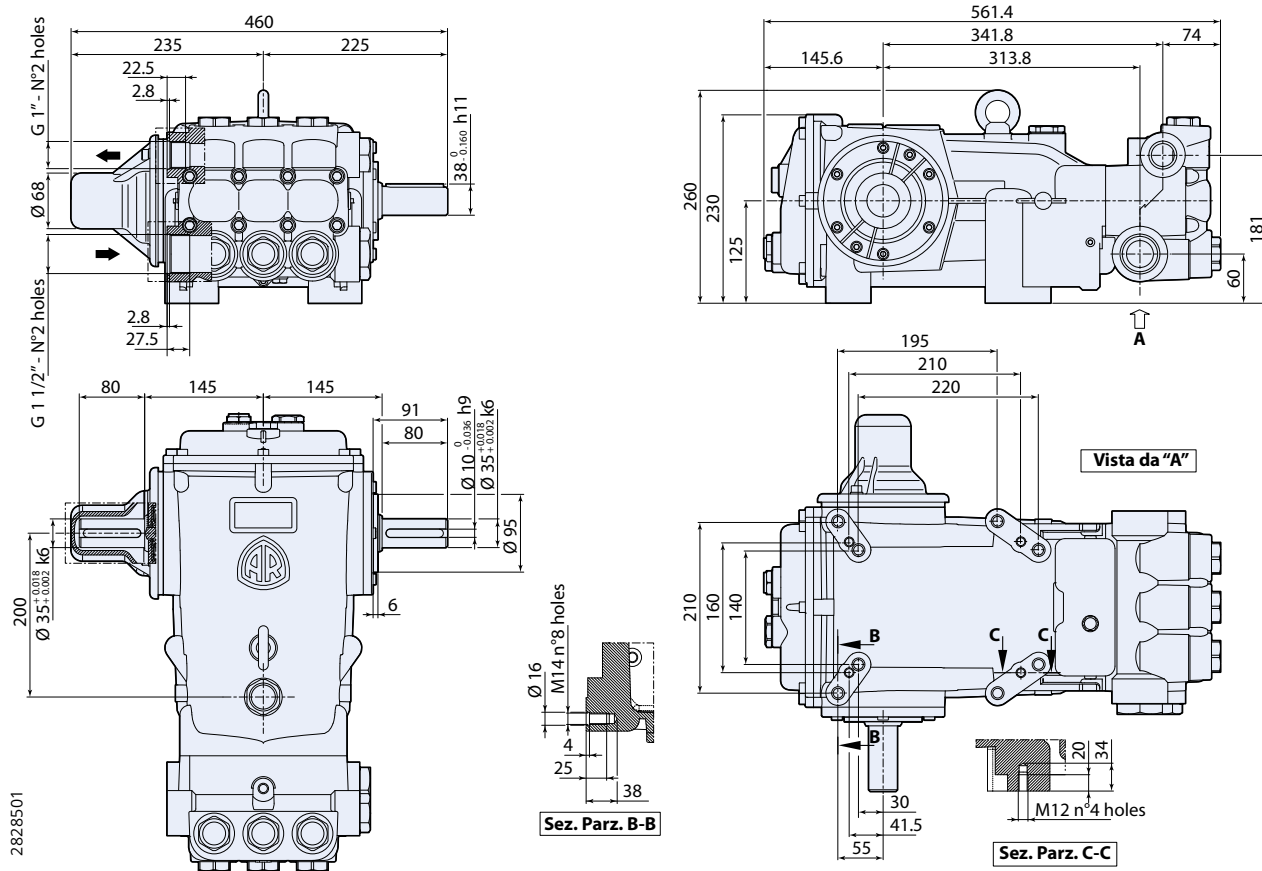
lavaggio industriale
industrial cleaning

autolavaggio
car wash

municipality

misting

CAR WASH



N version

MOD	COD	MAX	MAX						
		l/min	gpm	bar	psi	hp	kW	N° giri/1'	kg
RTF 800rpm Nversion $\varnothing 35$mm									
RTF 135.100 N AP	22217	135	35,7	100	1450	35	26	800	90
RTF 150.100 N AP	24381	150	39,6	100	1450	39	29	800	90



testa nichelata
nickel plated brass head

bielle in bronzo
connecting rods in bronze

Valvole di Regolazione (Regulation Valves)

VR 35



Valvola di regolazione con ritorno automatico della pompa a 0 bar alla chiusura.
Pressure regulating unloader valve, automatically relieves pressure from pump at shut-off.

INLET: 3/8" G (F), OUTLET: 3/8" G (M), BY-PASS: 3/8" G (F)

COD. 20831

Max 350 bar, 35 l/min

VB 85/280



Valvola di regolazione con ritorno automatico della pompa a 0 bar alla chiusura.
Pressure regulating unloader valve, automatically relieves pressure from pump at shut-off.

INLET: 1/2" G (F), OUTLET: 1/2" G (F), BY-PASS: 1/2" G (F)

For RTX 70.200 - RTX 85.150
RTJ 70.275

COD. 51435

Max 280 bar, 80 l/min

VS 200/180



Valvola di sicurezza. Valvola compensata regolatrice di pressione. Regularizza il bypass del fluido, con una minima variazione della pressione.
Safety valve. Compensated pressure regulating valve.

Regulates the bypass of the fluid with a minimum variation of the pressure.

INLET: 3/4" G (F), OUTLET: 1/2" G (F),

COD. 51437

Max 180 bar, 200 l/min

VB 350



Valvola di regolazione con ritorno automatico della pompa a 0 bar alla chiusura, by-pass.
Pressure regulating unloader valve, automatically relieves pressure from pump at shut-off, built-in by-pass.

INLET: 3/8" G (M), OUTLET: 3/8" G (F), BY-PASS: 1/2" G (F)

For RTX 30.300

COD. 50687

Max 350 bar, 40 l/min

VB 53



Valvola di regolazione con ritorno automatico della pompa a 0 bar alla chiusura, by-pass.
Pressure regulating unloader valve, automatically relieves pressure from pump at shut-off, built-in by-pass.

INLET: 1/2" G (F), OUTLET: 1/2" G (F), BY-PASS: 1/2" G (F)

For RTX 50.300 - RTX 60.300
RTX 30.500 RTP 30.500
RTP 38.500

COD. 40790

Max 500 bar, 80 l/min

VB 140/160



Valvola di regolazione con ritorno automatico della pompa a 0 bar alla chiusura, by-pass.
Pressure regulating unloader valve, automatically relieves pressure from pump at shut-off, built-in by-pass.

INLET: 3/4" G (F), OUTLET: 3/4" G (F), BY-PASS: 3/4" G (F)

For RTX 100.120

RTF 135.100 - RTF 150.100

RTD 130.100 - RTD 130.160

COD. 51839

Max 160 bar, 140 l/min

VB 200/280



Valvola di regolazione con ritorno automatico della pompa a 0 bar alla chiusura.
Pressure regulating unloader valve, automatically relieves pressure from pump at shut-off.

INLET: 1" G (F), OUTLET: 1" G (F), BY-PASS: 1" G (F)

For RTD 100.200

COD. 51636

Max 280 bar, 200 l/min

VB 60/600



Valvola di regolazione con ritorno automatico della pompa a 0 bar alla chiusura.
Pressure regulating unloader valve, automatically relieves pressure from pump at shut-off.

INLET: 1/2" G (F), OUTLET: 1/2" G (F) BY-PASS: 1/2" G (F)

For RTP 30.600

COD. 51179

Max 600 bar, 60 l/min

VRPP 170



Valvola di regolazione con ritorno automatico della pompa a 0 bar alla chiusura.
Pressure regulating unloader valve, automatically relieves pressure from pump at shut-off.

INLET: 1" G (F), OUTLET: 1" G (F) BY-PASS: 1" G (F)

For RTD 160.100, RTD 160.130,
RTX 150.100

COD. 51859

Max 150 bar, 200 l/min

VB 200/150



Valvola di regolazione con ritorno automatico della pompa a 0 bar alla chiusura.
Pressure regulating unloader valve, automatically relieves pressure from pump at shut-off.

INLET: 1" G (F), OUTLET: 1" G (F) BY-PASS: 1" G (F)

For RTD 160.100, RTD 160.130,
RTX 150.100

COD. 50160

Max 150 bar, 200 l/min

Riduttori (Gear Boxes)

CR 1"



Riduttore 1:2 per motori a scoppio/diesel con albero cilindrico 1" (25,4 mm) e flangia SAE J609a.
1:2 reduction gear box for gas/diesel engines with 1" cylindrical shaft and SAE J609a flange.

RG, RW, XW, SXW series

COD.1697

Riduttore 1:2,24 per motori a scoppio/diesel con albero cilindrico 1" (25,4 mm) e flangia SAE J609a.

1:2,24 reduction gear box for gas/diesel engines with 1" cylindrical shaft and SAE J609a flange.

RG, RW, XW, SXW series

COD.1698

CR 1"1/8



Riduttore 1:2 per motori a scoppio/diesel con albero cilindrico 1" 1/8 (28,6 mm) e flangia SAE J609a.

1:2 reduction gear box for gas/diesel engines with 1" 1/8 cylindrical shaft and SAE J609a flange.

RG, RW, XW, SXW series

COD.1670

B24 1"



Riduttore 1:2,176 per motori a scoppio/diesel con albero cilindrico 1" (25,4 mm), 18÷24HP e flangia SAE J609a.

1:2,176 reduction gear box for gas/diesel engines with 1" cylindrical shaft, 18÷24HP and SAE J609a flange.

RG, RW, XW, SXW series

COD.51277

B31 1"1/8



Riduttore 1:2,176 per motori a scoppio/diesel con albero cilindrico 1" 1/8 (28,6 mm), max 31HP e flangia SAE J609a.

1:2,176 reduction gear box for gas/diesel engines with 1" 1/8 cylindrical shaft, max 31HP and SAE J609a flange.

RG, RW, XW, SXW series

COD.51857

Il presente catalogo annulla e sostituisce tutti i precedenti, può essere modificato senza alcun preavviso.

La Annovi Reverberi S.p.A. si riserva la facoltà di effettuare consegne parziali. Dati, descrizioni ed illustrazioni sono forniti a titolo indicativo e non impegnativo.

This catalogue cancels all previous ones and can be modified without notice. Annovi Reverberi S.p.A. preserves the right to carry out partial shipments. Characteristics and descriptions are not binding.



ANNOVI[®]
REVERBERI

The Power of Experience

Annovi Reverberi spa

Agriculture & Industry Division
Via Martin Luther King 3
41122 Modena (Italy)
Tel +39 059 414 411
Fax +39 059 253 505
infoar@annovireverberi.it
www.annovireverberi.it

Cleaning Division
Via Aldo Moro 40
41030 Bomporto, Mo (Italy)
Tel +39 059 8199 011
Fax +39 059 8199 000
info@arblueclean.it
www.arblueclean.it

AR North America Inc.

140 - 81st Avenue Northeast
Fridley, MN USA 55432
Ph. +1 763 398 2008
Fax +1 763 398 2009
info@arnorthamerica.com
www.arnorthamerica.com

AR China Distribution Co., Ltd

2nd Floor, Building 1, No. 651 Jiangting Rd.
Jinhui Town, Fengxian District, Shanghai
201404 China
Ph. +86 21 54846800
Fax +86 21 54846800 ext 815
info@ar-china.cn
www.ar-china.cn