



**ANNOVI[®]
REVERBERI**
The Power of Experience



 **ANNOVI[®]
REVERBERI**
The Power of Experience

VOLUME 15 L./min.
PRESS. 200 bar RPM 1450

Nr. 20638 OP190123450320005
OIL SAE 30

EAC
MADE IN ITALY

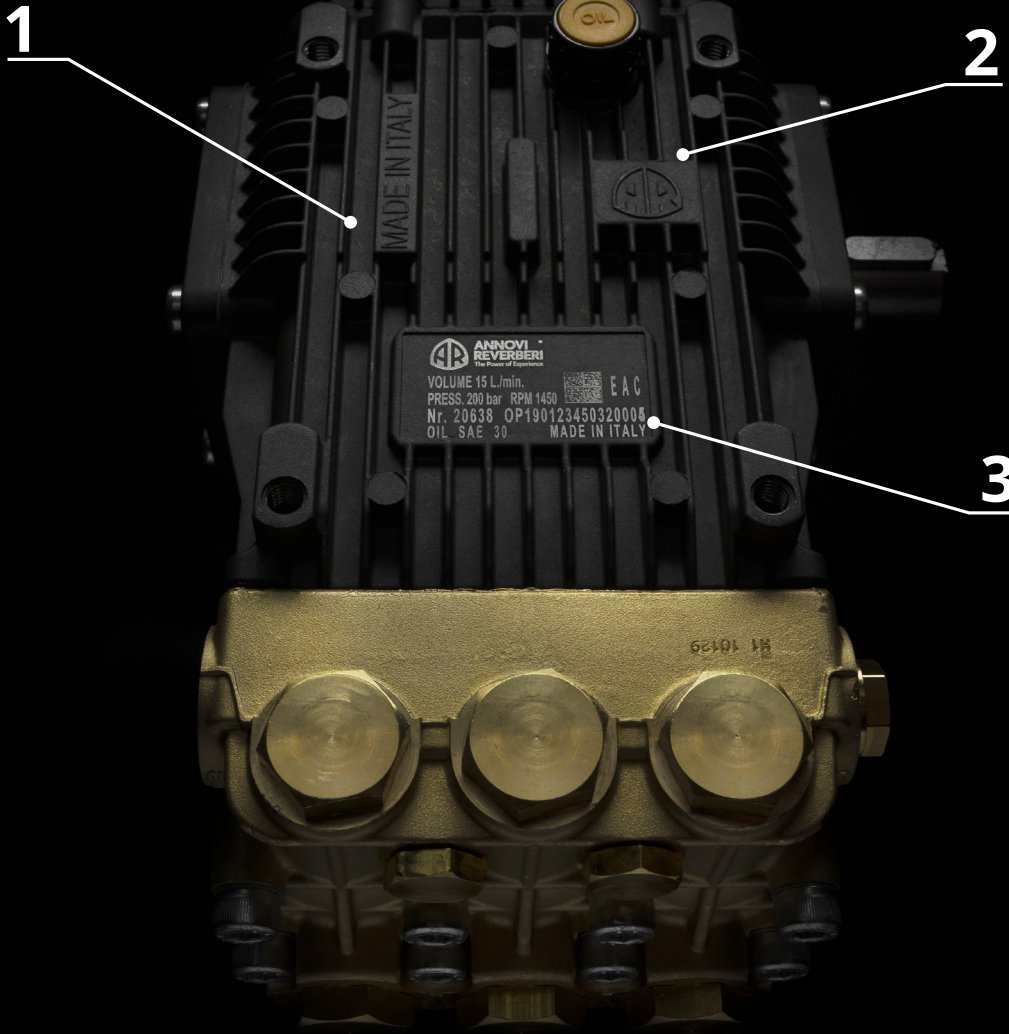


62101 H

CATALOGO NEWS INDUSTRIAL DIVISION CATALOGUE

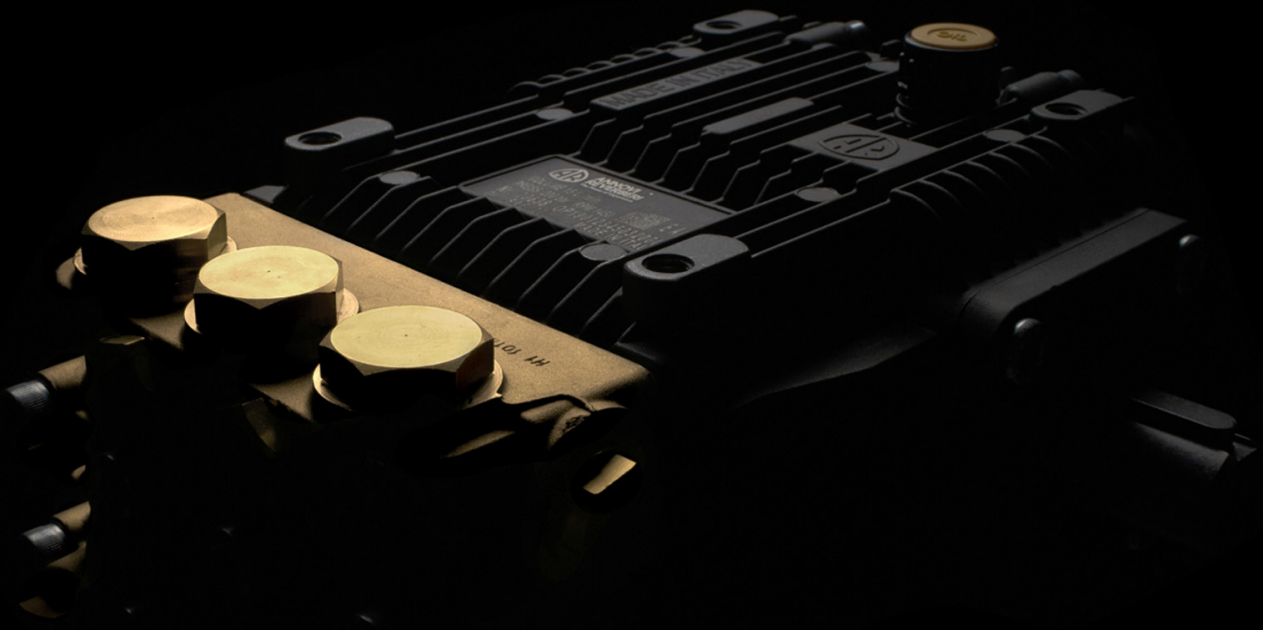
NUOVA RK
NEW RK

228 SERIES



- 1 Scritta "Made in Italy" per sottolineare la qualità italiana di sempre
"Made in Italy" to emphasize the italian quality as always
- 2 Logo AR in rilievo
Embossed trademark
- 3 Targhe dati Stampa laser
Data plates laser printed

NEW



414 Series



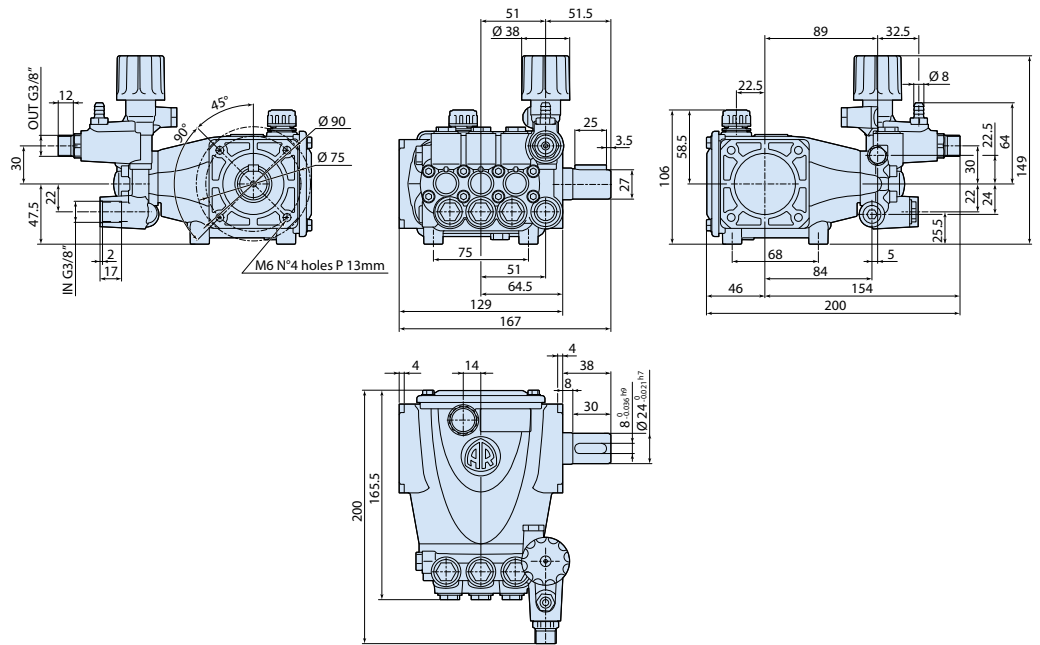
idropulitrici
pressure
washers



TSS VERSION



TSS VERSION



N version

MOD	COD	MAX l/min	MAX gpm	MAX bar	MAX psi	MAX hp	MAX kW	MAX N° giri/1'	MAX kg
JR 1450rpm Nversion Ø24mm									
JR 8.12 N TA	27684	8	2,11	120	1740	2,5	1,8	1450	3,5
JR 8.12 N TSS TA	27685	8	2,11	120	1740	2,5	1,8	1450	3,5
JRS 2800rpm Nversion Ø24mm									
JRS 8.14 N TA	27592	8	2,11	140	2000	3	2,2	2800	3,5
JRS 8.14 N TSS TA	27593	8	2,11	140	2000	3	2,2	2800	3,5
JRS 10.14 N TA	27594	10	2,64	140	2000	4	3	2800	3,5
JRS 10.14 N TSS TA	27595	10	2,64	140	2000	4	3	2800	3,5
JRS 14.12 N TA	27596	14	3,7	120	1740	4,4	3,3	2800	3,5
JRS 14.12 N TSS TA	27597	14	3,7	120	1740	4,4	3,3	2800	3,5
JRA 1750 rpm Nversion Ø24mm									
JRA 2.5G17 N TA	27686	9,5	2,5	120	1740	3	2,2	1750	3,5
JRV 3400 rpm Dversion Ø3/4"									
JRV 3G20 D TA + F7	27687	11,4	3	140	2000	4,2	3	3400	3,5

NEW

TSS®
Total Stop
SYSTEM



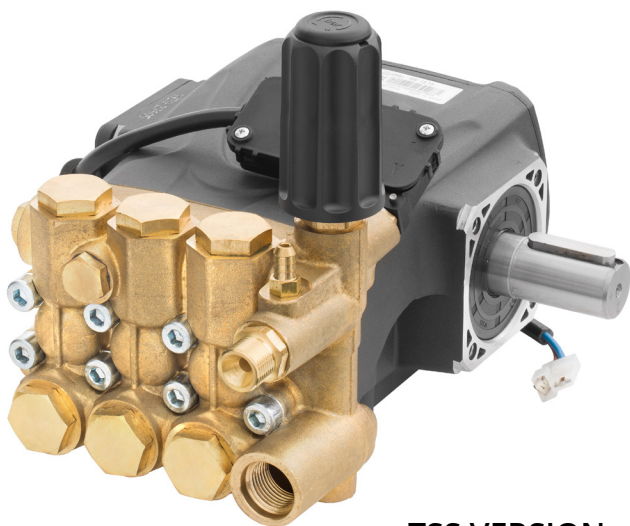
testa in
alluminio
aluminium
head



bielle in
alluminio
connecting-rods
in aluminium



322 Series



TSS VERSION



idropultrici
pressure
washers



processi
industriali
industrial
processes



autolavaggio
car wash



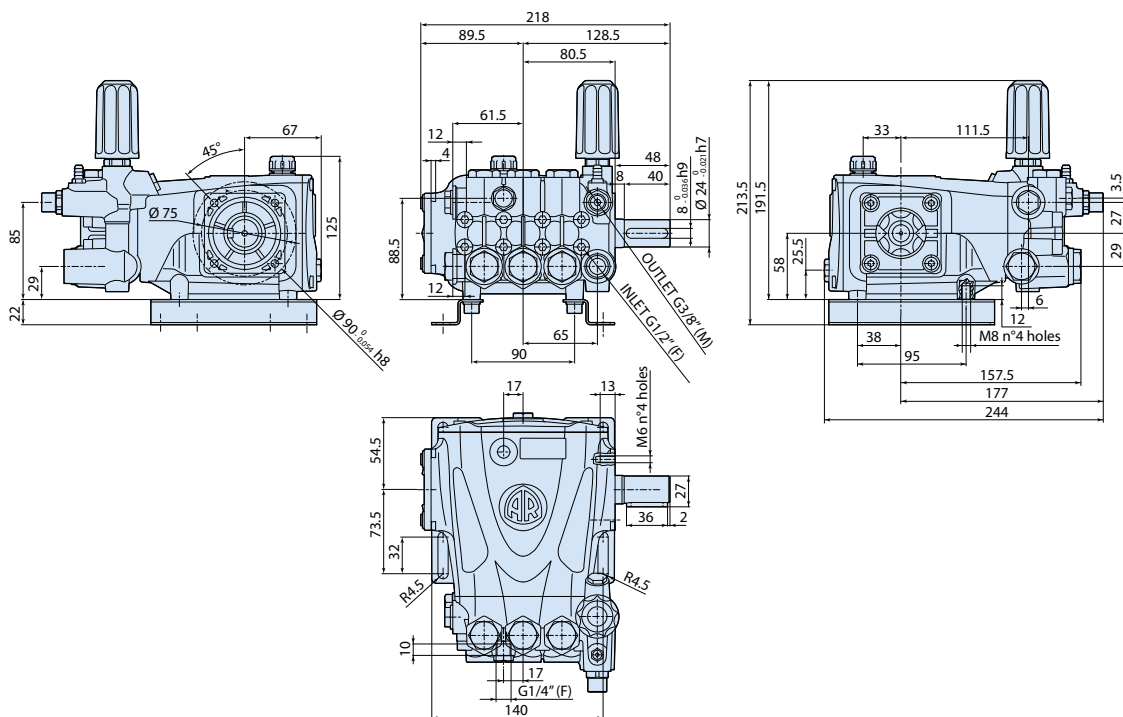
agricoltura
agriculture



cantieri ed
edilizia
construction
industry



Model H



N version

MOD	COD	MAX	MAX						
		l/min	gpm	bar	psi	hp	kW	N° giri/1'	kg
RR 1450rpm Nversion Ø24mm									
RR 15.15 N	27605	15	3,96	150	2200	5,5	4	1450	7,6
RR 15.20 N DX	28209	15	3,96	200	2900	7,5	5,5	1450	7,6
RR 13.20 N DX	28210	13	3,43	200	2900	7,5	5,5	1450	7,6
RR 18.16 N DX	28211	18	4,75	160	2320	7,5	5,5	1450	7,6

VALVOLA INTEGRATA DX o SX



testa in
ottone
brass
head



bielle in
alluminio
connecting-rods
in aluminium

402 Series



lavaggio industriale
industrial cleaning



idropulitrici
pressure washers



processi industriali
industrial processes



autolavaggio
car wash



agricoltura
agriculture



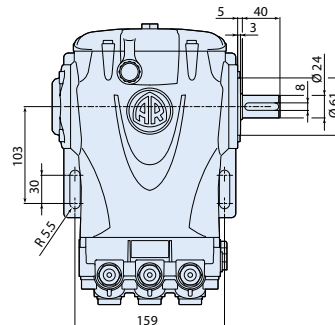
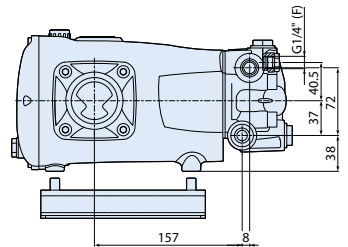
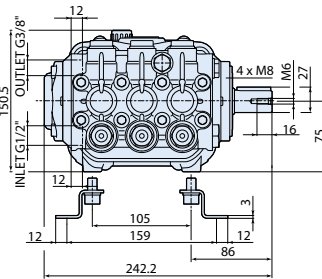
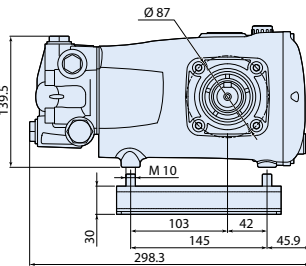
cantieri ed edilizia
construction industry



antincendio
fire fighting



● Model H



testa in ottone
brass head



bielle in alluminio
connecting-rods in aluminium

N version

MOD	COD	 MAX	 MAX						
		l/min	gpm	bar	psi	hp	kW	N° giri/1'	kg

RG 1450rpm Nversion Ø24mm

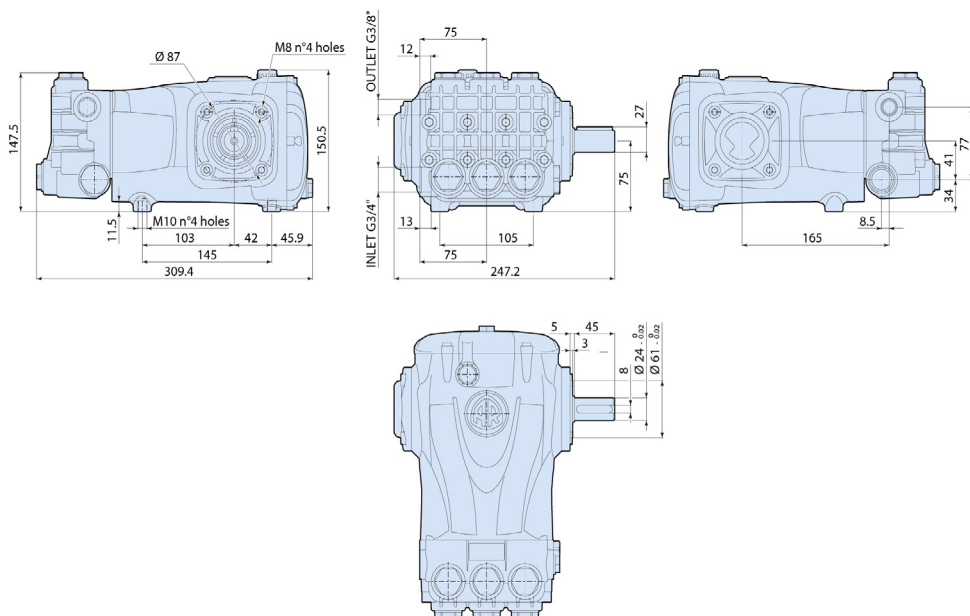
RG 30.25 N **27368** 30 7.92 250 3625 19 14 1450 16







402 Series



-  **lavaggio industriale**
industrial cleaning
-  **processi industriali**
industrial processes
-  **autolavaggio**
car wash
-  **produzione**
manufacturing
-  **agricoltura**
agriculture
-  **municipality**
-  **misting**
-  **pulizia tubazioni**
sewer jetting
-  **cantieri ed edilizia**
construction industry
-  **agricoltura**
agriculture
-  **municipality**



N version

MOD	COD	 MAX	 MAX						
		l/min	gpm	bar	psi	hp	kW	N° giri/1'	kg

RGL 1450rpm Nversion Ø24mm

RGL 36.15 N	28052	36	9.5	150	2200	15	11	1450	16
RGL 41.15 N	27945	41	10.8	150	2200	16	11.8	1450	16
RGL 41.17 N	27951	41	10.8	170	2465	20	15	1450	16
RGL 41.20 N	27370	41	10.8	200	2900	20	15	1450	16
RGL 42.10 N	27604	42	11.1	100	1450	11	8.2	1450	16
RGL 42.15 N	28053	42	11	150	2200	16	11.8	1450	16
RGL 50.15 N	27369	50	13.2	150	2175	20	15	1450	16



testa in ottone
brass head



bielle in bronzo
connecting-rods in bronze

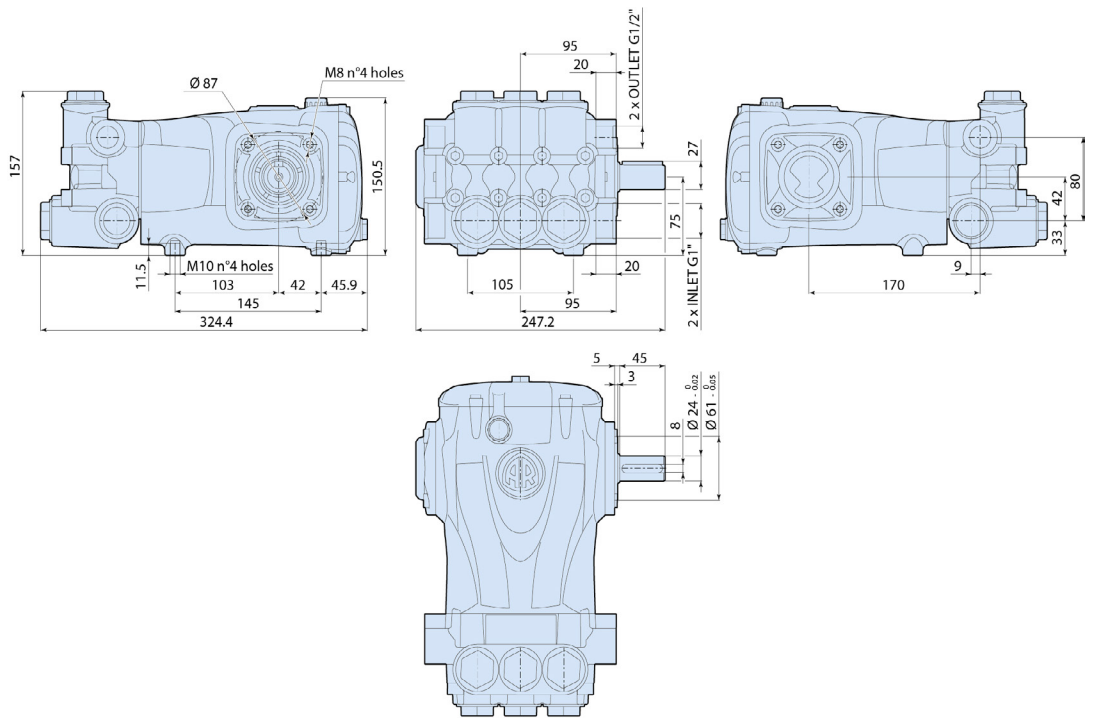


bielle in alluminio
connecting-rods in aluminium

402 Series



- lavaggio industriale**
industrial cleaning
- processi industriali**
industrial processes
- autolavaggio**
car wash
- produzione**
manufacturing
- agricoltura**
agriculture
- municipality**
- misting**
- pulizia tubazioni**
sewer jetting
- cantieri ed edilizia**
construction industry



- testa in ottone**
brass head
- bielle in alluminio**
connecting-rods in aluminium

N version

MOD	COD	MAX	MAX						
		l/min	gpm	bar	psi	hp	kW	N° giri/1'	kg
RGP 1450rpm Nversion Ø24mm									
RGP 50.15 N	28054	50	13.2	150	2200	20	15	1450	17.6
RGP 60.13 N	28055	60	15.9	130	1900	20	15	1450	17.6
RGP 70.15 N	27371	70	18.5	150	2200	27	20	1450	17.6

A richiesta testa nichelata · Nickel plated head available.



402 Series



lavaggio industriale
industrial cleaning



idropultrici
pressure washers



processi industriali
industrial processes



autolavaggio car wash



produzione
manufacturing



agricoltura
agriculture



municipality



misting



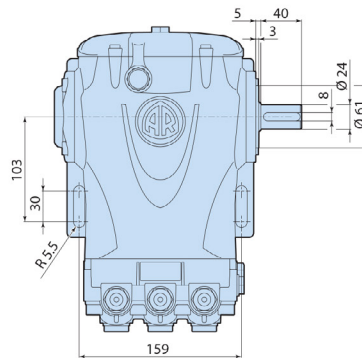
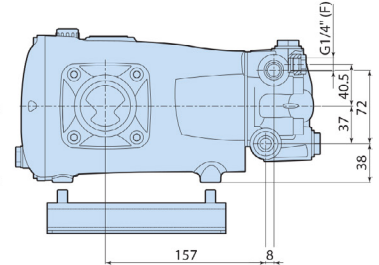
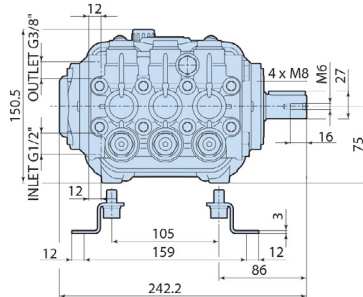
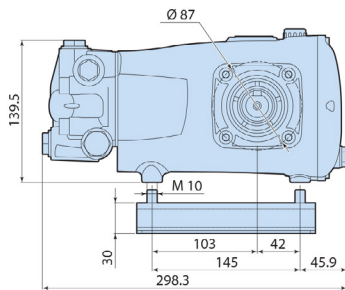
pulizia tubazioni
sewer jetting



cantieri ed edilizia
construction industry



antincendio
fire fighting



N version

MOD	COD	MAX	MAX						
		l/min	gpm	bar	psi	hp	kW	N° giri/1'	kg
SRG 1450 rpm Nversion Ø24mm									
SRG 15.35 N	27696	15	3.96	350	5076	15	11	1450	16
SRG 21.35 N	27697	21	5,54	350	5076	20	15	1450	16



testa in ottone
brass head

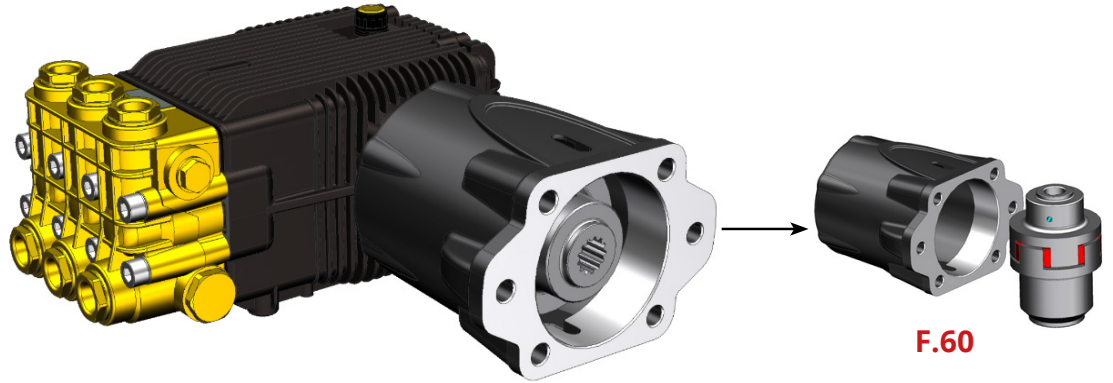


bielle in alluminio
connecting-rods in aluminium

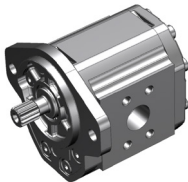
194 Series



Pompa con flangia F.60 e giunto elastico per motori albero scanalato 13T.
Pump with F.60 flange and flexible coupling for splined shaft motor 13T.

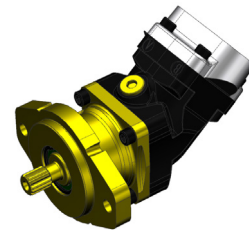


GEAR MOTOR VERSIONS
UP TO 40 hp (30 kW)



MOTORE A INGRANAGGI 44 cc/rev code 45222

PISTON MOTOR VERSIONS
UP TO 40 hp (30 kW)



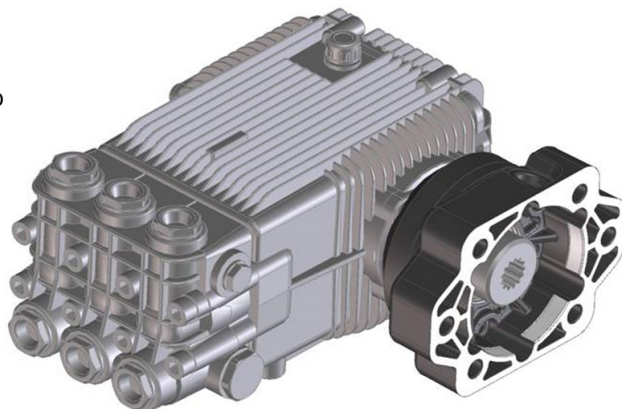
MOTORE A PISTONI 34 cc/rev code 45221

Applicabile su tutte le pompe della serie 194 Annovi Reverberi
Suitable for all Annovi Reverberi 194 series



194 Series

Pompa con flangia e giunto rigido per accoppiamento semi-compatto con motori albero scanalato 13T.
Pump with flange and rigid coupling for direct drive semi-compact with 13T splined shaft motor.

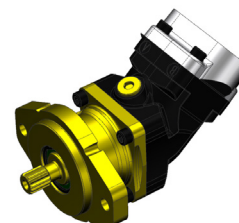


GEAR MOTOR VERSIONS
UP TO 40 hp (30 kW)



MOTORE A INGRANAGGI 44 cc/rev code 45222

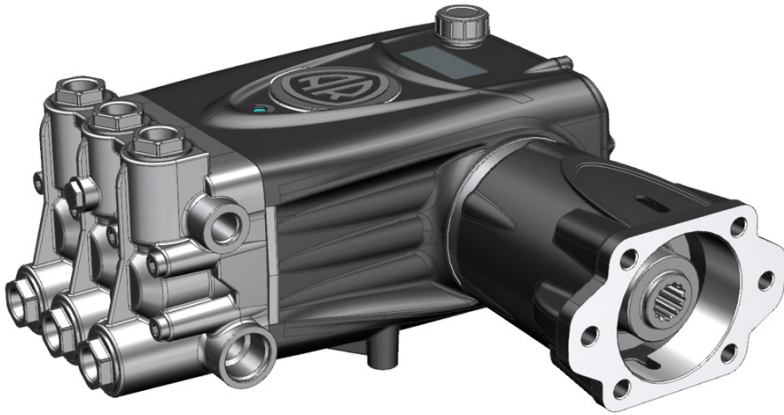
PISTON MOTOR VERSIONS
UP TO 40 hp (30 kW)



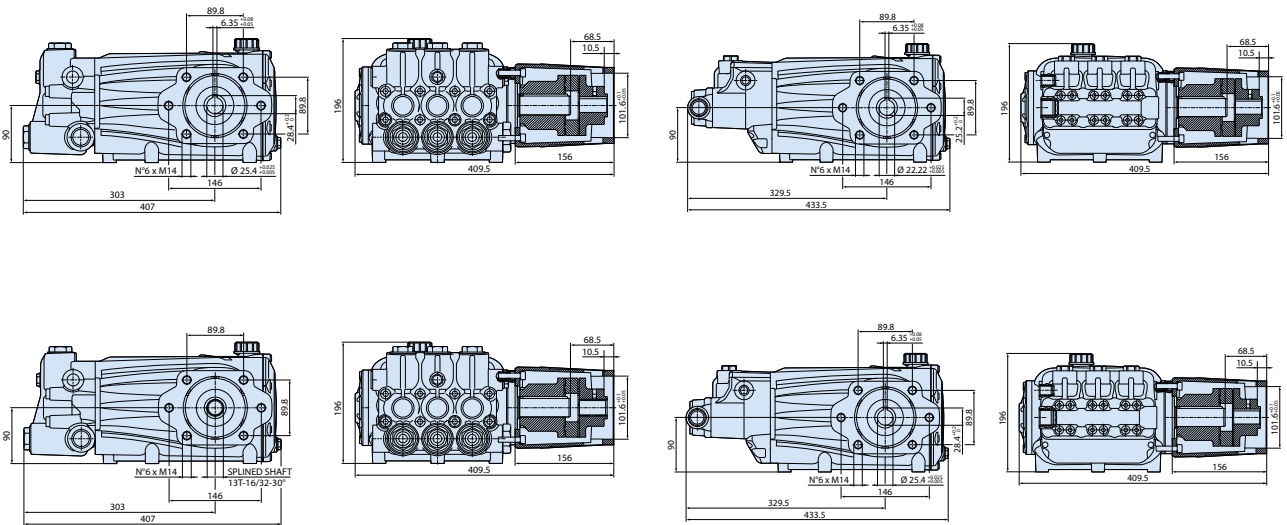
MOTORE A PISTONI 34 cc/rev code 45221

Applicabile su tutte le pompe della serie 194 Annovi Reverberi
Suitable for all Annovi Reverberi 194 series

366 Series







- 
lavaggio industriale
industrial cleaning
- 
processi industriali
industrial processes
- 
autolavaggio car wash
- 
produzione manufacturing
- 
agricoltura agriculture
- 
municipality
- 
misting
- 
pulizia tubazioni sewer jetting
- 
antincendio fire fighting



Pompa con campana e giunto elastico per motori albero scanalato 13T.
 Pump with bell housing and flexible coupling for 13T splined shaft motors.

HYD-RTX +F54

MOD	COD	 MAX	 MAX		 NET				
		l/min	gpm	bar	psi	hp	kW	N° giri/1'	kg
RTX + F54									
RTX 30.300 N+F54	28123	30	7,92	300	4351	24	18	1450	32,5
RTX 50.300 N+F54	28124	50	13.20	300	4351	40	30	1450	32,5
RTX 60.300 N+F54	28125	60	15.85	300	4351	47	35	1450	32,5
RTX 70.150 N+F54	28126	70	18,50	150	2175	30	22	1450	32,5
RTX 85.150 N+F54	28127	85	22,45	150	2175	34	26	1450	32,5
RTX 100.120 N+F54	28128	100	26,40	120	1740	30	22	1450	32,5



testa nichelata
nickel plated brass head



bielle in alluminio
connecting-rods in aluminium

A richiesta testa nichelata · Nickel plated head available.



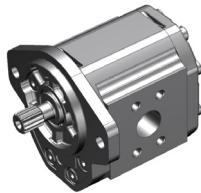
366 Series

Pompa con flangia F.54 e giunto elastico.
Pump with F.54 flange and flexible coupling.

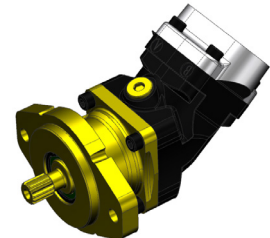


GEAR MOTOR VERSIONS
UP TO 40 hp (30 kW)

PISTON MOTOR VERSIONS
UP TO 40 hp (30 kW)



GEAR MOTOR 44 cc/rev code 45222



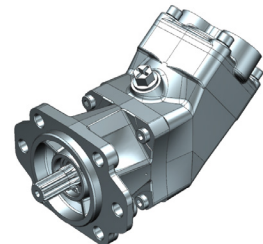
PISTON MOTOR 34 cc/rev code 45221

UP TO 47 hp (35 kW)

UP TO 47 hp (35 kW)

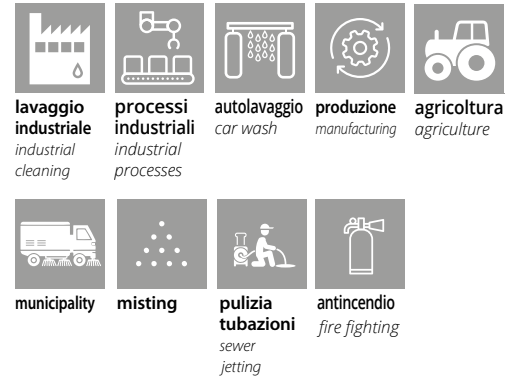


GEAR MOTOR 90 cc/rev code 45223



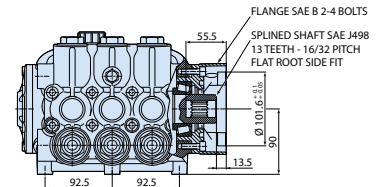
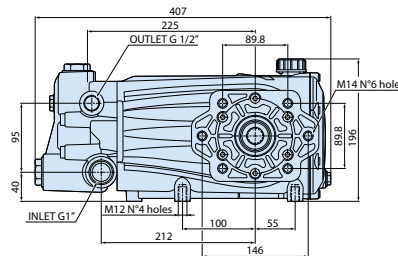
PISTON MOTOR 64 cc/rev code 45230

366 Series



Pompa nella versione compatta con albero femmina scanalato per motori idraulici con albero maschio scanalato 13T.

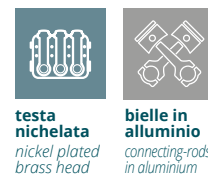
Pump with direct drive flange and hollow shaft for 13T splined shaft motors.



N version

MOD	COD	MAX		MAX		MAX		kg NET	
		l/min	gpm	bar	psi	hp	kW		N° giri/1'
RTX + F56									
RTX 30.300 C+F56	28131	30	7,92	300	4351	24	18	1450	32,5
RTX 50.300 C+F56	28132	50	13.20	300	4351	40	30	1450	32,5
RTX 60.300 C DX+F56	27892	60	13,2	300	4351	47	35	1450	32,5
RTX 70.200 C DX+F56	27894	70	15,4	200	2900	37	28	1450	32,5
RTX 85.150 C DX+F56	27873	85	18,7	150	2175	34	26	1450	32,5
RTX 100.120 C+F56	28133	100	26,41	120	1740	47	35	1450	32,5
RTX 150.100 C DX+F56	27699	150	33	100	1450	30	22	1450	35
RTX 30.500C+F56	28134	30	7,92	500	7251	30	22	1450	32,5

A richiesta testa nichelata · Nickel plated head available.





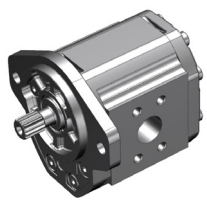
366 Series

Pompa con F.56 e albero scanalato 13T per accoppiamento diretto.
Pump with F.56 flange and splined shaft for direct drive flange.

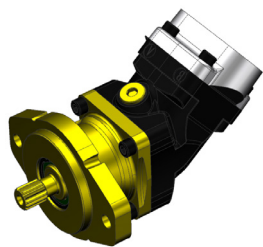


**GEAR MOTOR VERSIONS
UP TO 40 hp (30 kW)**

**PISTON MOTOR VERSIONS
UP TO 40 hp (30 kW)**



MOTORE A INGRANAGGI 44 cc/rev code 45222
GEAR MOTOR 44 cc/rev code 45222



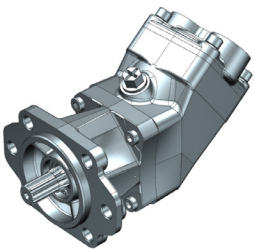
MOTORE A PISTONI 34 cc/rev code 45221
PISTON MOTOR 34 cc/rev code 45221

UP TO 47 hp (35 kW)

UP TO 47 hp (35 kW)

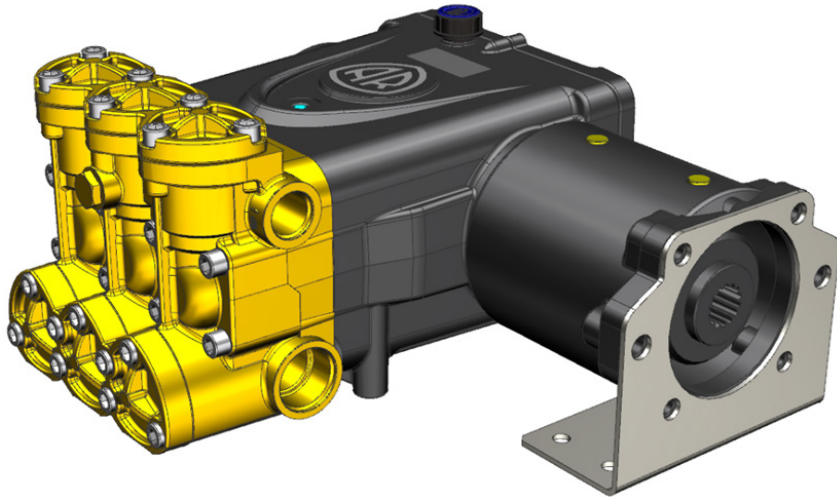


MOTORE A INGRANAGGI 90 cc/rev code 45223
GEAR MOTOR 90 cc/rev code 45223



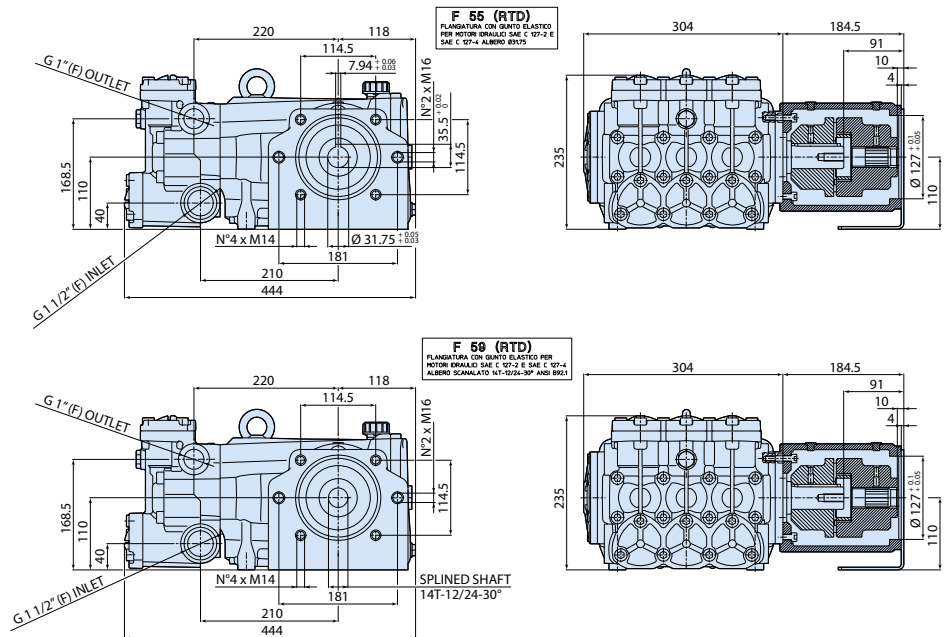
MOTORE A PISTONI 64 cc/rev code 45230
PISTON MOTOR 64 cc/rev code 45230

418 Series



- lavaggio industriale**
industrial cleaning
- processi industriali**
industrial processes
- produzione**
manufacturing
- agricoltura**
agriculture
- municipality**
- misting**
- pulizia tubazioni**
sewer jetting
- cantieri ed edilizia**
construction industry
- antincendio**
fire fighting

Pompa con campana e giunto elastico per motori albero scanalato 14T.
Pump with bell housing and flexible coupling for 14T splined shaft motors.



testa in ottone
brass head



bielle in bronzo
connecting-rods in bronze



bielle in alluminio
connecting-rods in aluminium

HYD - RTD +F59

MOD	COD	MAX		MAX		MAX		N° giri/1'	kg
		l/min	gpm	bar	psi	hp	kW		
RTD + F59									
POMPA RTD-L 160.100 N DX+F59	28142	160	35,2	100	1450	42	32	800	92,5
POMPA RTD 80.300 N DX +F59	28135	80	17,6	300	4350	64	47	1000	92,5
POMPA RTD 100.200 N DX+F59	28136	100	22	200	2900	54	41	1000	92,5
POMPA RTD 130.100 N DX+F59	28137	130	28,6	100	1450	34	26	1000	92,5
POMPA RTD 130.160 N DX+F59	28138	130	28,6	160	2320	54	41	1000	92,5
POMPA RTD 130.200 N DX+F59	28139	130	28,6	200	2900	70	51	1000	92,5
POMPA RTD 160.100 N DX+F59	28140	160	35,2	100	1450	42	32	1000	92,5
POMPA RTD 160.130 N DX+F59	28141	160	35,2	130	1885	54	41	1000	92,5

A richiesta testa nichelata · Nickel plated head available.



418 Series



- 

lavaggio industriale
industrial cleaning
- 

processi industriali
industrial processes
- 

produzione
manufacturing
- 

agricoltura
agriculture
- 

municipality
- 

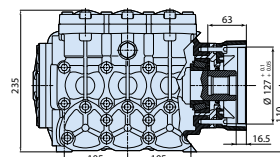
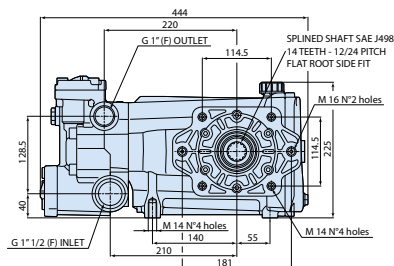
misting
- 

pulizia tubazioni
sewer jetting
- 

cantieri ed edilizia
construction industry
- 

antincendio
fire fighting

Pompa nella versione compatta con albero scanalato 14T.
Pump with direct drive flange and hollow shaft for 14T splined shaft motors.



- 

testa in ottone
brass head
- 

bielle in bronzo
connecting-rods in bronze
- 

bielle in alluminio
connecting-rods in aluminium

HYD - RTD + F57

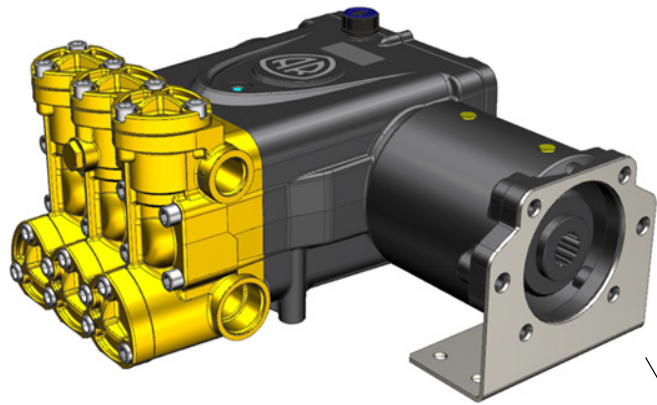
MOD	COD	MAX		MAX		hp	kW	N° giri/1'	kg	
		l/min	gpm	bar	psi					
RTD + F57										
POMPA RTD 100.200 C DX+F57	• 28165	100	22	200	2900	54	41	1000	92,5	
POMPA RTD 130.160 C DX+F57	• 27762	130	28	160	1885	54	41	1000	92,5	
POMPA RTD 130.200 C DX+F57	• 28056	130	28	200	2900	70	51	1000	92,5	
POMPA RTD 160.130 C DX+F57	• 27442	160	35	130	1885	54	41	1000	92,5	

A richiesta testa nichelata · Nickel plated head available.

418 Series



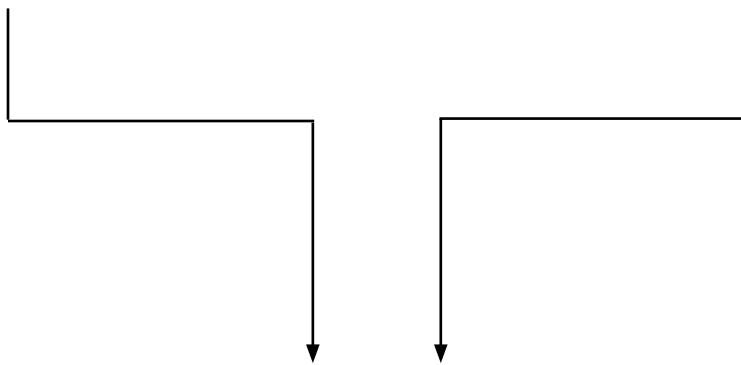
Pompa con F.57 e albero scanalato 14T per accoppiamento diretto.
Pump with F.57 and splined shaft 14T for direct drive flange .



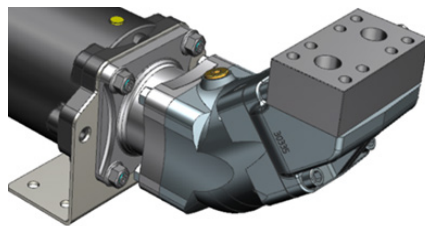
Pompa con F.59 e giunto elastico.
Pump with F.59 and flexible coupling.



F.59



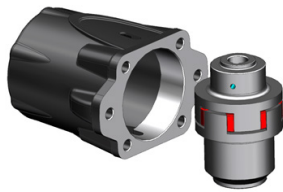
**MOTORE A PISTONI
PISTON MOTOR**



**MOTORE A PISTONI 64 cc/rev
code 45232
PISTON MOTOR 64 cc/rev
code 45232**

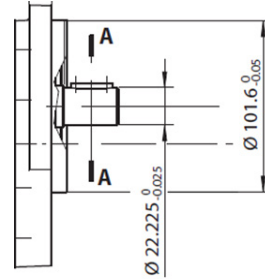


OTHER FLEXIBLE COUPLINGS ALTRI GIUNTI ELASTICI



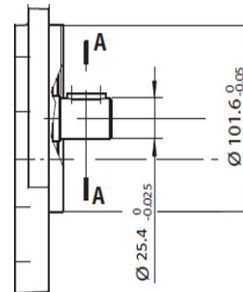
41450

FLANGIATURA F50
Per motori albero D.22,22



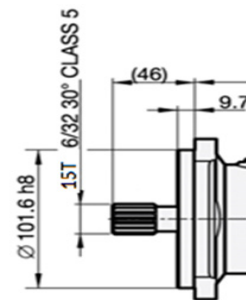
41451

FLANGIATURA F.51
Per motori albero D.25,4



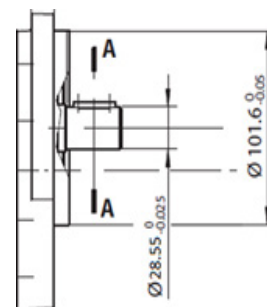
43780

FLANGIATURA F.52
Per motori albero scanalato 15T

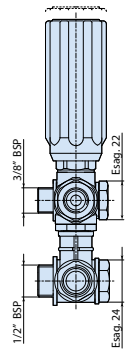
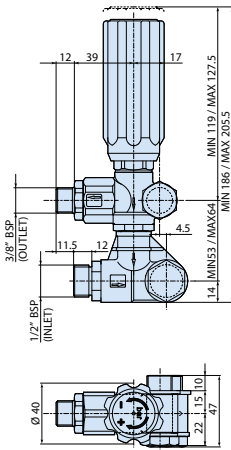


43781

FLANGIATURA F.53
Per motori albero D.28,58



NICHEL PLATED VALVES



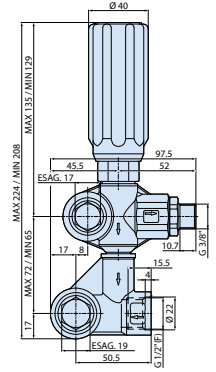
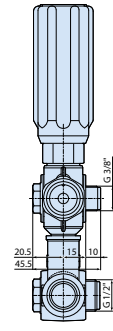
For XM, RR, RK Series

MOD	COD	MAX	MAX				
		l/min	gpm	bar	psi	IN	OUT

GYMATIC 3/B **28098** 35 9.24 250 3625 1/2" G (F) 3/8" G (M)

Valvola di regolazione in ottone nichelato e guarnizioni OR in Viton, con ritorno automatico della pompa a 0 bar alla chiusura e by-pass.

Pressure regulating unloader valve in nickel plated brass with Viton O-rings, automatic pressure relief to 0 bar and built-in by-pass.



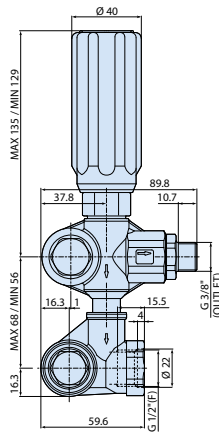
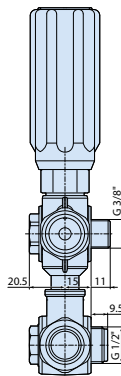
For RG, RW Series

MOD	COD	MAX	MAX				
		l/min	gpm	bar	psi	IN	OUT

VR 3/B H **28099** 35 9.24 300 4351 1/2" G (F) 3/8" G (M)

Valvola di regolazione in ottone nichelato e guarnizioni OR in VITON, con ritorno automatico della pompa a 0 bar alla chiusura e by-pass.

Pressure regulating unloader valve in nickel plated brass with Viton O-rings, automatic pressure relief to 0 bar and built-in by-pass.



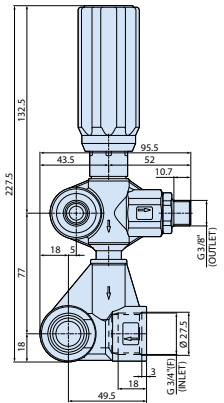
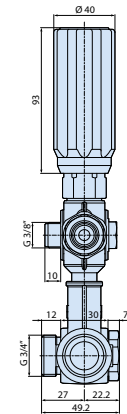
For RK Series

MOD	COD	MAX	MAX				
		l/min	gpm	bar	psi	IN	OUT

VR 3/BH **28281** 35 9.24 300 4351 1/2" G (F) 3/8" G (M)

Valvola di regolazione in ottone nichelato e guarnizioni OR in VITON, con ritorno automatico della pompa a 0 bar alla chiusura e by-pass.

Pressure regulating unloader valve in nickel plated brass with Viton O-rings, automatic pressure relief to 0 bar and built-in by-pass.



For XW Series

MOD	COD	MAX	MAX				
		l/min	gpm	bar	psi	IN	OUT

VR 3/B **28007** 35 9.24 300 4351 3/4" G (F) 3/8" G (M)

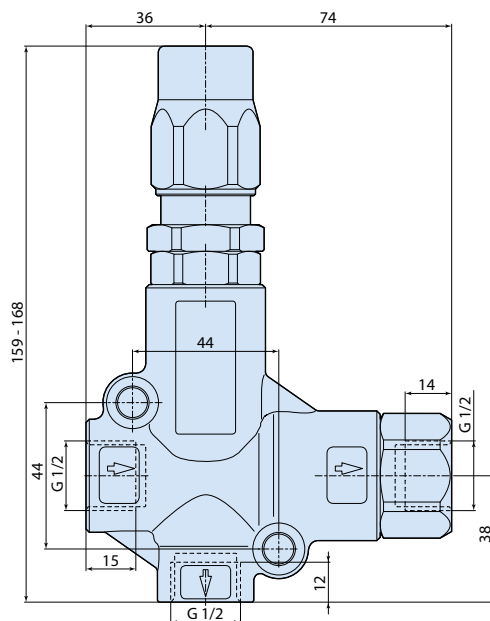
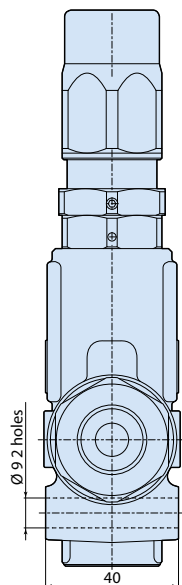
Valvola di regolazione in ottone nichelato e guarnizioni OR in Viton, con ritorno automatico della pompa a 0 bar alla chiusura e by-pass.



Pressure regulating unloader valve in nickel plated brass with Viton O-rings, automatic pressure relief to 0 bar and built-in by-pass.



VALVOLE DI REGOLAZIONE REGULAZION VALVES

VR 60



MOD	 MAX	 MAX
	l/min gpm	bar psi
NEW VR VALVES		.511
VR 60	100 26,4	600 8702



ANNOVI ®
REVERBERI
The Power of Experience

Annovi Reverberi spa

Agriculture & Industry Division
Via Martin Luther King 3
41122 Modena (Italy)
Tel +39 059 414 411
Fax +39 059 253 505
infoar@annovireverberi.it
www.annovireverberi.it

Cleaning Division
Via Aldo Moro 40
41030 Bomperto, Mo (Italy)
Tel +39 059 8199 011
Fax +39 059 8199 000
info@arblueclean.it
www.arblueclean.it

AR North America Inc.

140 - 81st Avenue Northeast
Fridley, MN USA 55432
Ph. +1 763 398 2008
Fax +1 763 398 2009
info@arnorthamerica.com
www.arnorthamerica.com

AR China Distribution Co., Ltd

2nd Floor, Building 1, No. 651 Jiangting Rd.
Jinhui Town, Fengxian District, Shanghai
201404 China
Ph. +86 21 54846800
Fax +86 21 54846800 ext 815
info@ar-china.cn
www.ar-china.cn